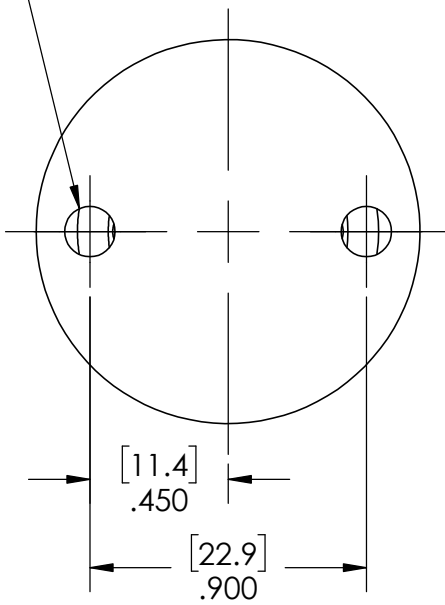


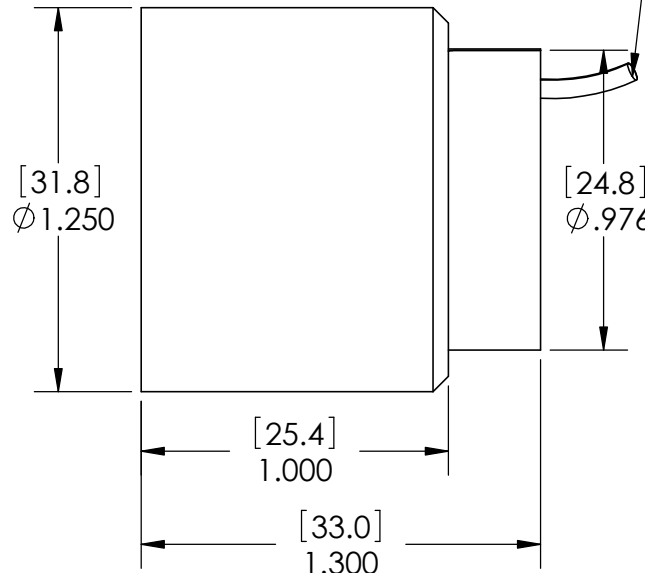
ACTUATOR SHOWN FULLY RETRACTED

REVISION TABLE					
REV	ECN#	DESCRIPTION	REV BY	APPROVED	DATE
---	---	Original Drawing	OOG	MPW	9-9-08
A	---	Added full specification table (Sheet 2)	OOG	MPW	9-9-08
B	---	Updated specifications and added direction callout	JRM	MPW	5-31-17

2X TAP 8-32 ∇ .25 [6.4]



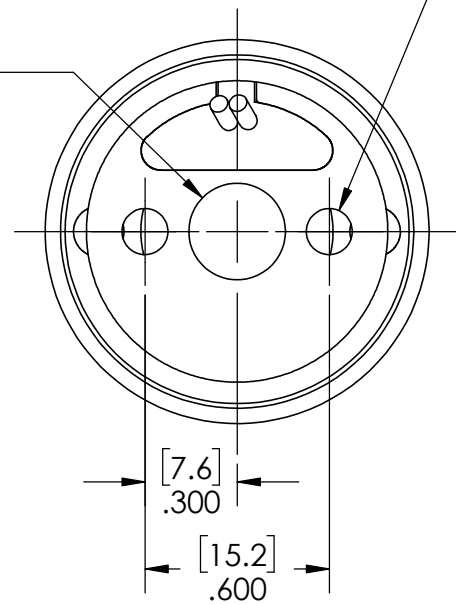
MOTION



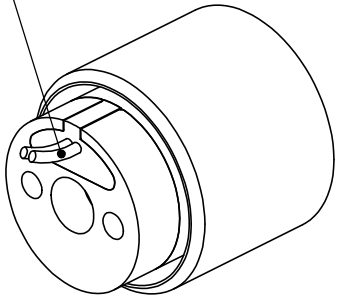
12" Minimum Lead (White and Black)

2X TAP 6-32 ∇ .30 [7.6]

ϕ .315 [8.0]
 ∇ .235 [6.0]



2X POWER LEADS



When + is connected to White and - is connected to Black, the actuator coil will retract into the permanent magnetic field assembly.

1

2

3

4

5

A

A

B

B

C

C

D

D

NON-COMM ACTUATOR SPECIFICATIONS

Motor P/N	NCC02-13-008-1R	
Device Type	Moving Coil	
Stroke	0.50 in	12.7 mm
Radial Clearance	0.070 in / side	1.78 mm / side
Bearing Type	None	
Moving Mass	0.95 oz	27 grams
Total Mass	4.16 oz	118 grams
Resistance @ 20C	3.0 ohms \pm 0.3 ohms	
Inductance @ 20C	1.00 mH \pm 0.20 mH	
Electrical Time Constant	0.33 msec	
Motor Constant	0.37 lbs/sqrt(watt)	1.65 N/sqrt(watt)
Force Constant	0.65 lbs/amp	2.90 N/amp
Back EMF	0.07 V/ips	2.90 V/m/sec
Force @ 100% Duty	0.80 lbs	3.56 N
Power @ 100% Duty	4.5 watts	
Current @ 100% Duty	1.2 amps	
Force @ 10% Duty	2.40 lbs	10.7 N
Power @ 10% Duty	41 watts	
Current @ 10% Duty	3.7 amps	



H2W Technologies, Inc.
 Santa Clarita, CA 91350 USA
 Tel: (661) 291-1620
www.h2wtech.com

These drawings and specifications are the property of H2W Technologies, Inc. They are issued in confidence and shall not be reproduced, copied, or used without written permission from H2W Technologies, Inc.

UNLESS SPECIFIED OTHERWISE:
 All dimensions are in inches
 Standard Tolerances are as follows
 .XXX \pm .005 ANGLES \pm .1°
 .XX \pm .010 FILLETS .010
 .X \pm .020 CORNERS .010
 Remove All Burrs and Sharp Edges

**FOR
 REFERENCE
 ONLY**

MATERIAL

FINISH

TITLE

Voice Coil Actuator
 Model #: NCC02-13-008-1R

DWG # **30-0782**REV **A**

DATE 9-9-08

SHEET 2 of 2