

CAD Configurator (ETH, HPLA & EME motors)

Download Instructions and Tips



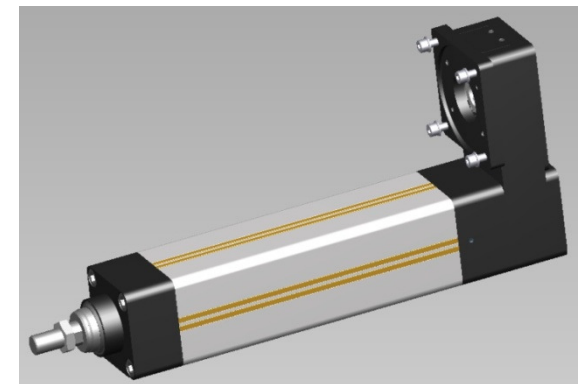
Ten steps
for creating you own CAD model
via Parker eConfigurator™

ETH : Parker High-Force ElectroThrust Cylinders

Model Number
ETH

Electromechanical Automation - Europe
[Please select your configuration below](#)
*Required Fields

Series*	[ETH] - Parker High-Force Electrothrust Cylinder
Model / Size*	- Please Select -
Screw Type*	- Please Select -
Motor Mounting / Cylinder Orientation*	- Please Select -
Lubrication Option*	- Please Select -
Motor Flange*	- Please Select -
Cylinder Mounting Style*	- Please Select -
Rod End*	- Please Select -
Design Options*	- Please Select -
Stroke*	- Please Select -
IP/Material Option*	- Please Select -

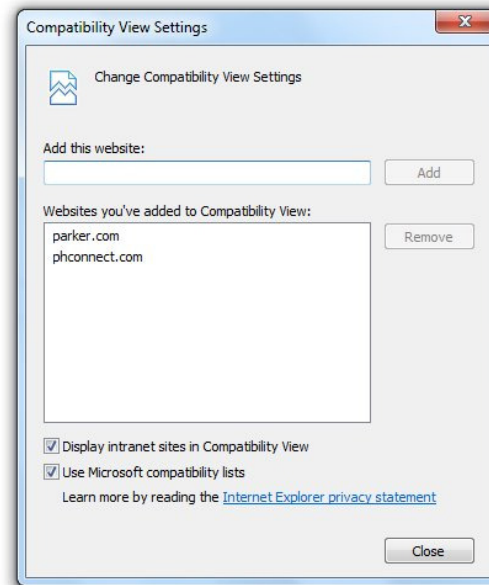
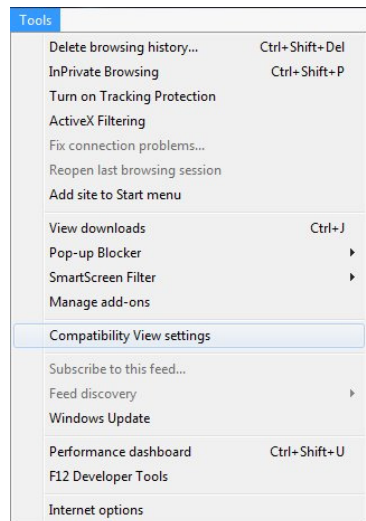


ENGINEERING YOUR SUCCESS.

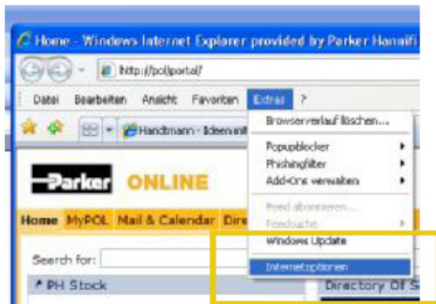
February 2014

CAD Configurator Web Browser Settings

- The Parker e-Configurator/CAD Configurator does work with IE7 and higher.
- For IE10/11 select the menu option: **"Tools > Compatibility View Settings > "**
- A new window will open - in the **"Add this website"** field enter **"phconnect.com"** and click **"Add"** then **"Close"**



CAD Configurator Web Browser Settings



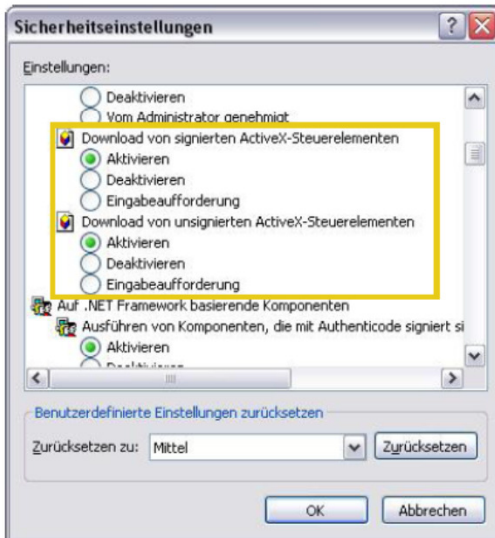
aktivieren (erfordert Internet Explorer-Neustart)

Stufe anpassen...

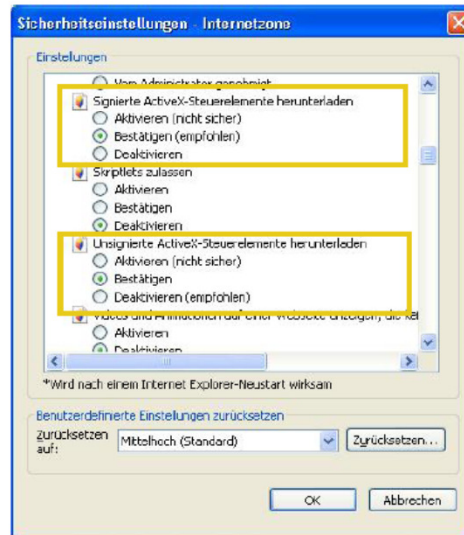
Standardstufe

Alle Zonen auf Standardstufe zurücksetzen

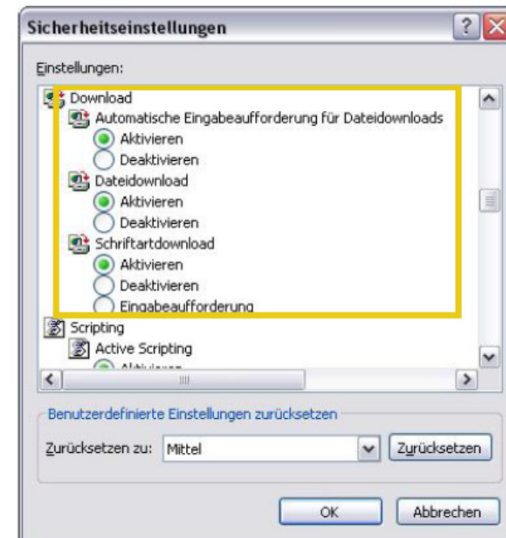
- Make also sure that pop-ups from this site are not blocked!
- Make sure that the automated prompt for downloads are enabled:



or



&



CAD Configurator

Download Instructions and Tips

1. Check your browser settings (see previous slides)!

2. Start eConfigurator by clicking the web link:

- The following new CAD configurators have now been released and made available online on the EME website.
- **NX** – Low Cogging Servo Motors - **New**
- <http://www.phconnect.com/crm/config/asp/publicconfig.asp?mfgdiv=688358&mfglang=EN&mfgmod=NX%20SERVO%20MOTORS>
- **EX** – Explosion Proof Servo Motors - **New**
- <http://www.phconnect.com/crm/config/asp/publicconfig.asp?mfgdiv=688358&mfglang=EN&mfgmod=EX>
- **HKW** – Frameless Spindle Synchronous Motors - **New**
- <http://www.phconnect.com/crm/config/asp/publicconfig.asp?mfgdiv=688358&mfglang=EN&mfgmod=HKW>

CAD Configurator

Download Instructions and Tips

2. Starting eConfigurator by clicking the web link:

- **SMB** – Low Inertia Dynamic Servo Motors - **New**
http://www.phconnect.com/crm/config/asp/publicconfig.asp?mfgdiv=A74066&mfglang=EN&mfgmod=SMB_CAD
- **SMH** – Low Inertia Servo Motors (for use with Compax3) – **New**
http://www.phconnect.com/crm/config/asp/publicconfig.asp?mfgdiv=A74066&mfglang=EN&mfgmod=SMH_CAD
- **ETH** – High Force Electro Thrust Cylinder – **Now including ETH100**
<http://www.phconnect.com/crm/config/asp/publicconfig.asp?mfgdiv=A87859&mfglang=EN&mfgmod=ETH%20ACTUATOR%20SERIES>
- **HPLA** – Linear actuators
<http://www.phconnect.com/crm/config/asp/publicconfig.asp?mfgdiv=A87859&mfglang=EN&mfgmod=LBB>


If the links doesn't work by clicking, copy and past it into the web browser

CAD Configurator

Download Instructions and Tips

3. Select options by pull down menu

- Make sure that all fields are defined.
- It can be that if you change any option, another option may be reset. If this is the case choose this option again.

- **TIP:** Before clicking the  button copy the order code "Strg+C" into the clipboard for further use.

ETH : Parker High-Force ElectroThrust Cylinders

Model Number
ETH050M05C1K1BBNA



(Euro)

Please select your configuration below
*Required fields

View Summary

Generate CAD

Series*	[ETH] : Parker High-Force Electrothrust Cylinder
Model / Size*	[050] : ISO50 Frame Size
Screw Type*	[M05] : Metric Ballscrew, 5mm Lead
Motor Mounting / Cylinder Orientation	[C] : Motor Mounted Parallel (12 o'clock) / Groove for Ini at 3 & 9 o'clock
Lubrication Option*	[1] : No Additional Lubrication Bore (standard)
Motor Flange*	[K1B] : Prepared for SMx60 (flange 5/11mm) / Mx70 (flange 5/11mm) / NX3
Cylinder Mounting Style*	[B] : Cylinder Mount - Foot Mount
Rod End*	- Please Select -
Design Options*	[N] : Standard Design
Stroke*	- Please Select -
IP/Material Option*	[A] : IP54 Rated - with Galvanised Screws

The pricing published in the current EME mechanical price list takes precedence over any price displayed in this configurator.

View Summary

Generate CAD

CAD Configurator

Download Instructions and Tips

4. Click **Generate CAD** button.

ETH : Parker High-Force ElectroThrust Cylinders

Model Number
ETH032M05A1K1ADMN0050A



Please select your configuration below
*Required Fields

View Summary **Generate CAD** Refresh Out

5. Choose "Download drawing file" or "Email drawing file" and select favorite 3D CAD format.

Series*	[ETH] : Parker High-Force Electrothrust Cylinder
Model / Size*	[032] : ISO32 Frame Size
Screw Type*	[M05] : Metric Ballscrew, 5mm Lead
Motor Mounting / Cylinder Orientation*	[A] : Motor Mounted Inline / Groove for Inl at 3 & 9 o'clock
Lubrication Option*	[1] : No Additional Lubrication Bore (standard)
Motor Flange*	[K1A] : Prepared for SMx60 (flange 8/9mm) / Mx56 (flange 5/9mm)
Cylinder Mounting Style*	[D] : Cylinder Mount - Trunnion
Rod End*	[M] : Male Thread (Metric) Rod End - Standard
Design Options*	[N] : Standard Design
Stroke*	[0050] : 50mm Stroke Length (preferred option)
IP/Material Option*	[A] : IP54 Rated - with Galvanised Screws

http://phconnect.parker.com/crm/config/asp/CallAutoCadMenu.asp - Windows Internet Explorer provided by Parker Hannifin Corp.

6. Click **Submit Request** button.

Parker eConfigurator 3D CAD Generator

Do you wish to:

- View drawing*
- Download drawing file (Note: You may be required to add <http://www.phconnect.com> to your trusted sites in IE and/or lower your internet security settings to low if you encounter an error with the download)
- Email drawing file

Please select the Format for your Drawing File:

SAT ACIS 7
SAT ACIS 7
STEP AP214
2D Drawings
3D DWF

*The free Autodesk DWF Viewer

Autodesk Autodesk Inventor
DWF™ Viewing, Measure and Markup

Submit Request

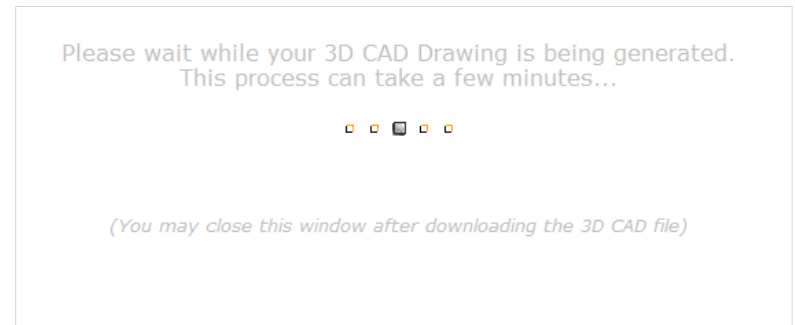
Please note the following:

- Having Autodesk Inventor installed does not install the DWF Viewer
- Internet Explorer's security settings can affect the Autodesk DWF Viewer installation and/or 3D CAD drawing file download

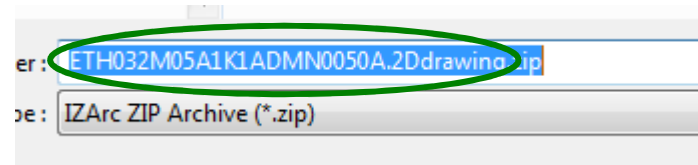
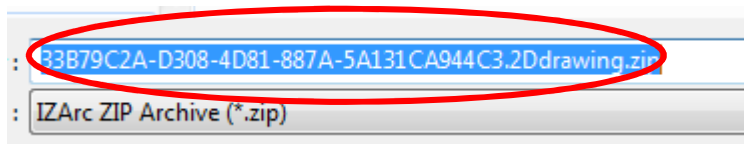
CAD Configurator

Download Instructions and Tips

- 7. Please wait window pulls up.**
The CAD model is configured and assembled automatically in the background.
This process could take several minutes.
Please make sure that pop-ups from this site are not blocked!



- 8. Download zip-file:**
TIP: Rename zip file before downloading by pasting the order code “Ctrl+V” from clipboard *



- 8 * Parker creates a unique filename which is saved on the server.

CAD Configurator

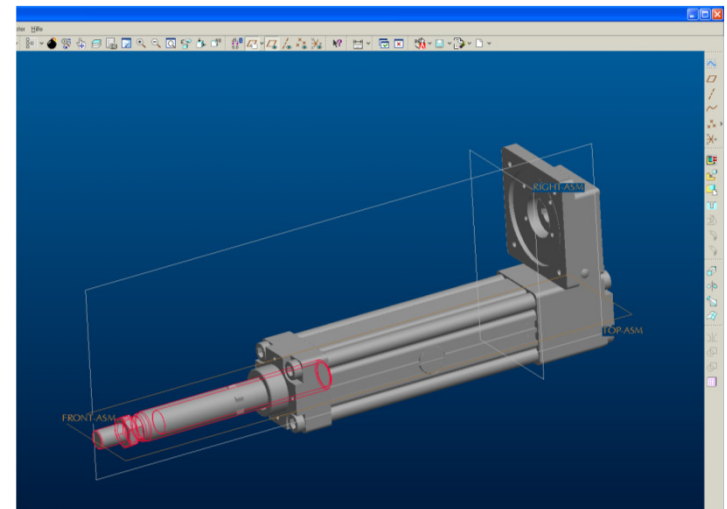
Download Instructions and Tips

9. The downloaded zip file includes

- Requested CAD format and
- dwf file



10. Open the CAD from your CAD system or send the model to the customer.



CAD functions:

- Rod and carriage can be modified separately.
- The CAD model dimensions are set to metric.

CAD Configurator DWF Format

- The CAD model can be viewed CAD independently via the Autocad DWF format:

Option 1.

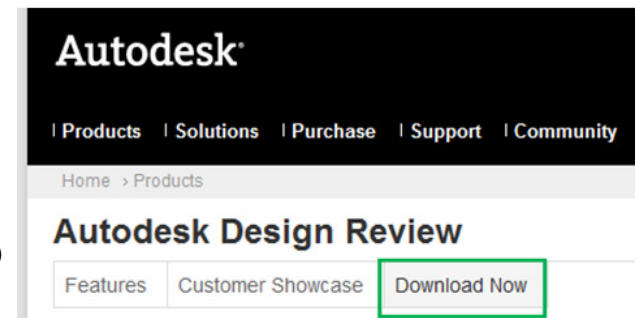
Right click on dwf file and select “open with” and select Internet Explorer (only works with 7 and higher)

In this case no extra software is not needed!

Option 2.

Install the Autodesk DWF viewer on you computer

<http://usa.autodesk.com/adsk/servlet/index?siteID=123112&id=2404513&CMP=ILC-GN9219645015>



CAD Configurator

Thank you

ETH : Parker High-Force ElectroThrust Cylinders

Model Number
ETH050M05C-TK1BBNA

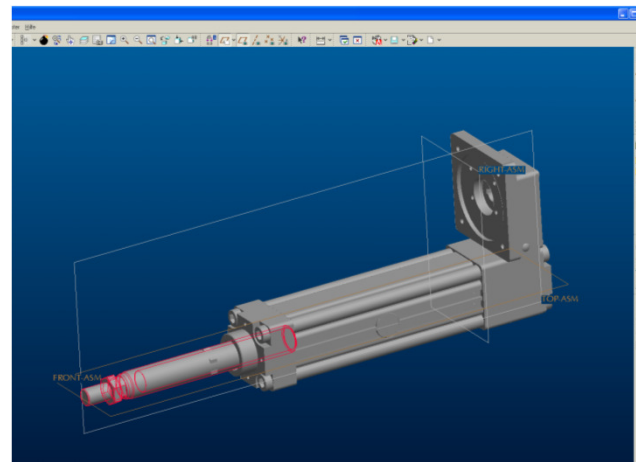
Please select your configuration below
*Required Fields

Series*	[ETH] : Parker High-Force Electrothrust Cylinder
Model / Size*	[050] : ISO50 Frame Size
Screw Type*	[M05] : Metric Ballscrew, 5mm Lead
Motor Mounting / Cylinder Orientation*	[C] : Motor Mounted Parallel (12 o'clock) / Groove for Ini at 3 & 9 o'clock
Lubrication Option*	[1] : No Additional Lubrication Bore (standard)
Motor Flange*	[K1B] : Prepared for SMx60 (flange 5/11mm) / Mx70 (flange 5/11mm) / NX3
Cylinder Mounting Style*	[B] : Cylinder Mount - Foot Mount
Rod End*	- Please Select -
Design Options*	[N] : Standard Design
Stroke*	- Please Select -
IP/Material Option*	[A] : IP54 Rated - with Galvanised Screws

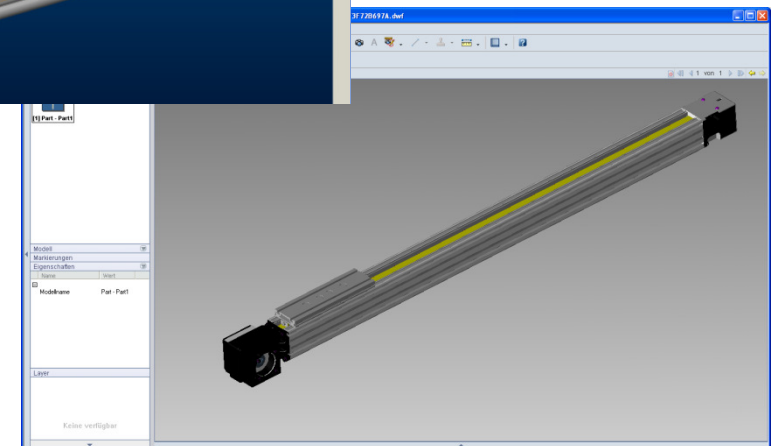
The pricing published in the current EME mechanical price list takes precedence over any price displayed in this configurator.

View Summary Generate CAD

eConfigurator™



CAD System



Autocad DWF

