

Operating / Mounting instructions



ETH - Electro Cylinder with ATEX Parker High Force Electro Thrust Cylinder



DOC-0008-01



192-550003N7 ETH
March 2017

Production site:



Parker Hannifin Manufacturing Germany GmbH & Co. KG
Electromechanical & Drives Division [EME]
Robert-Bosch-Strasse 22
77656 Offenburg (Germany)
Tel.: + 49 (0781) 509-0
Fax: + 49 (0781) 509-98176
Internet: www.parker.com/eme <http://www.parker.com/eme>
E-mail: sales.automation@parker.com <mailto:EM-Motion@parker.com>

Parker Hannifin GmbH - registered office: Bielefeld HRB 35489
Management Board: Ellen Raahede Secher, Dr.-Ing. Hans-Jürgen Haas, Günter Schrank, Kees Veraart - Chairman of the board:
Hansgeorg Greuner

Italy:

Parker Hannifin Manufacturing Srl
Electromechanical & Drives Division [EME]
Via C. Gounod, 1
20092 Cinisello Balsamo (Milano), Italy
Tel.: + 39 (0)2 361081
Fax: + 39 (0)2 36108400
Internet: www.parker.com/eme <http://www.parker.com/eme>
E-mail: parker.italy@parker.com <mailto:parker.italy@parker.com>

Non-warranty clause

We checked the contents of this publication for compliance with the associated hard and software. We can, however, not exclude discrepancies and do therefore not accept any liability for the exact compliance. The information in this publication is regularly checked, necessary corrections will be part of the subsequent publications.

German Master created.

Further information:

Our product on the internet: http://solutions.parker.com/eth_support

About this manual

This manual contains notes and safety instructions, information about commissioning, service and maintenance.
For information on project development (technical data, dimensions, accessories, options, dimensioning aids and order code) please refer to ETH catalogue (solutions.parker.com/ETH_support).

Contents

1. Introduction	5
1.1 Device assignment	5
1.2 Type specification plate	5
1.3 Mounting explanation	6
1.4 ATEX declaration of conformity	7
1.5 Introduction to ATEX	8
1.5.1 Explosive atmospheres.....	8
1.5.2 Harmonized European ATEX Standard	8
1.5.3 Zone classification / device categories	9
1.5.4 Type of explosion protection.....	9
1.5.5 Explosion subgroup	10
1.5.6 Temperature classes	10
1.5.7 ATEX and machinery directive.....	10
1.6 ETH ATEX marking	11
1.7 Intended use.....	12
1.7.1 Applications not in accordance with the intended use	13
1.8 Operator's obligations.....	13
1.9 Safety instructions.....	14
1.9.1 General hazards	14
1.9.2 Identifying Residual Dangers and Hazardous Areas	14
1.9.3 Working safely	14
1.9.4 Safety Instructions for the Company Using the System	15
1.9.5 Safety Instructions for Operating Personnel	15
1.9.6 ATEX specific safety instructions.....	16
1.9.6.1 General safety instructions - ATEX.....	16
1.9.6.2 Product specific safety instructions.....	16
1.10 Packaging, storage, transport	17
1.10.1 Special notes on transport	18
1.11 Terms of guarantee / warranty.....	21
1.12 Conditions of utilization	21
1.13 Planning of the ETH - Electro Cylinder for EX-Environment.....	23
2. Set-up	24
2.1 Mounting.....	24
2.1.1 Mounting with mounting threads on the cylinder	24
2.1.2 Mounting with mounting accessories	24
2.1.2.1 Cylinder mounting with mounting plates or foot mounting brackets	25
2.1.2.2 Screw tightening torques for the mounting of the ETH cylinder by the customer	25
2.1.2.3 Accessory mounting - bearing block.....	27
2.1.2.4 Mounting of force sensors.....	27
2.1.2.5 Mounting - Fixing of accessories - Rear clevis with force sensor	28
2.1.3 Mounting notes	28
2.1.3.1 Side Load	28
2.1.3.2 Mounting of the payload.....	28
2.2 Electric installation	29
2.2.1 Direction of the motor during extension of the cylinder	29
2.2.2 Sensors.....	29

2.2.2.1	Sensor mounting.....	30
2.2.3.	Setting the end limits	30
2.3	Motor/ gear assembly	32
2.3.1.	Motor / gear assembly with inline motor configuration.....	33
2.3.2.	Motor / gearbox mounting with parallel motor configuration	35
2.3.2.1	Parallel mounting ETH032 ... ETH080 Standard.....	35
2.3.2.2	Parallel mounting ETH032 ... ETH080 with Ex - Motor	37
2.3.2.3	Parallel mounting ETH100 & ETH125	39
2.3.2.4	Re-apply toothed belt pre-tension (reinsert the same toothed belt)	41
2.3.2.5	Resetting the toothed belt pre-tension (new toothed belt).....	42
2.3.3.	IP65 motor mount	43
2.3.3.1	Motor mounting for IP65 inline.....	43
2.3.3.2	IP65 motor mount parallel.....	44
3.	Maintenance and service	45
3.1	Maintenance schedule.....	46
3.2	Lubricating intervals and amount of lubricant for ATEX ETH- Electro Cylinder.....	46
3.2.1.	Greasing via central lubrication port (standard)	47
3.2.2.	Relubrication via central lubrication port (option).....	47
3.3	Toothed belt	49
3.3.1.	Checking the toothed belt.....	49
3.3.2.	Toothed belt exchange.....	49
3.3.3.	Exchanging the toothed belt (ETH032 ... 080).....	49
3.3.4.	Exchanging the toothed belt (ETH100&125)	51
3.4	Belt / belt tensions	52
4.	Repair	53
5.	Index.....	54

1. Introduction

In this chapter you can read about:

Device assignment5
 Type specification plate5
 Mounting explanation.....6
 ATEX declaration of conformity.....7
 Introduction to ATEX.....8
 ETH ATEX marking 11
 Intended use.....12
 Operator’s obligations.....13
 Safety instructions14
 Packaging, storage, transport17
 Terms of guarantee / warranty21
 Conditions of utilization.....21
 Planning of the ETH - Electro Cylinder for EX-Environment.....23

1.1 Device assignment

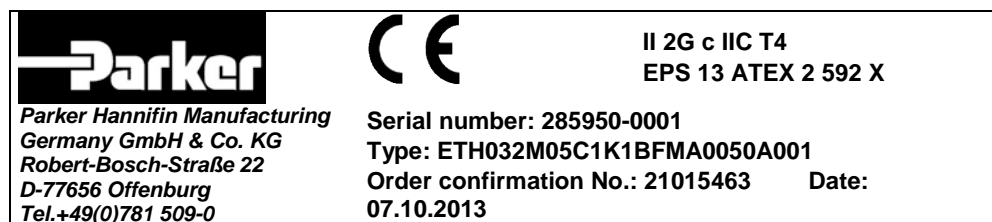
This manual is valid for the following devices:

Electro cylinder for motors and gearboxes:

- ◆ ETH032 Atex marked
- ◆ ETH050 Atex marked
- ◆ ETH080 Atex marked
- ◆ ETH100 Atex marked
- ◆ ETH125 Atex marked.

1.2 Type specification plate

Type specification plate (example)



Type specification plate explanation

Left: Manufacturer address
Right: CE, Ex, ... ATEX marked
 Serial number Unambiguous identification number
 Type: Order Code:

ETH032M05C1K1BFMA^①0050A^②001

- ① "A" = ATEX cylinder
- ② "000" Standard ATEX Cylinder, tested with the force - velocity - diagrams
- "001" ATEX Applications - Identification number
- = 1, ... (A-No. with unambiguous allocation to ATEX application data)

Order confir- Customer Order Number
 mation No.:

Date: Delivery date

1.3 Mounting explanation



Parker Hannifin Manufacturing Germany GmbH & Co KG

Robert-Bosch-Straße 22
D-77656 Offenburg

Tel.: +49 (0) 781-509-0
Fax.: +49 (0) 781-509-98176

www.parker.com/eme

EINBAUERKLÄRUNG DECLARATION OF INCORPORATION

ACCORDING TO EC DIRECTIVE 2006/42/EC (ANNEX II, PART 1, SECTION B) FOR PARTLY COMPLETED MACHINERIES

Dokumenten Nr. <i>Declaration No.:</i>	DoI001-R 3.0
Firma / <i>Manufacturer:</i> Bevollmächtigter / <i>Authorized person:</i>	Parker Hannifin GmbH & Co KG Jürgen Killius
Anschrift <i>Address:</i>	Robert-Bosch-Straße 22 77656 Offenburg Deutschland
Produkt <i>Product:</i>	ETH: Parker High Force Electro Thrust Cylinder
Serien- / Typenbezeichnung <i>Model / Type:</i>	ETH032; ETH050; ETH080; ETH100; ETH125
Seriennummer <i>Serial No.:</i>	ETH032 bis -125: Ab 35410387-0001 ETH032 till -125: As of 35410387-0001
Baujahr <i>Year of manufacture:</i>	ETH032 bis -125: Ab Juli 2014 ETH032 till -125: As of July 2014

Der oben genannte Hersteller / Bevollmächtigte erklärt, dass das Produkt den folgenden grundlegenden Anforderungen der Richtlinie Maschinen (2006/42/EG) entspricht:

The above mentioned Manufacturer / authorized person declare that the product is complying with the following essential requirements of the machinery directive 2006/42/EC:

Anhang I, Artikel / *Annex I, Article:* 1.1.1, 1.1.2, 1.1.3, 1.1.5, 1.3.1, 1.3.2, 1.3.3, 1.3.4, 1.3.7, 1.4.1, 1.5.4, 1.5.8 & 1.6.1.

Norm / <i>Standard</i>	Titel / <i>Title</i>	Ausgabe / <i>Edition</i>
DIN EN ISO 12100:2011	Sicherheit von Maschinen – Allgemeine Gestaltungsleitsätze, Risikobeurteilung und Risikominimierung <i>Safety of Machinery – General principles for design, risk assessment and risk reduction</i>	2011-03

Den im Produkthandbuch beschriebenen Sicherheits-, Installations- und Bedienungshinweisen muss Folge geleistet werden.

These products must be installed and operated with reference to the instructions in the Product Manual.

All instructions, warnings and safety information of the Product Manual must be adhered to.

Die unvollständige Maschine darf erst dann in Betrieb genommen werden, wenn festgestellt wurde, dass die Maschine, in die die unvollständige Maschine eingebaut werden soll, den Bestimmungen der Richtlinie Maschine 2006/42/EG entspricht.

The partly completed machinery must not be put into service until the final machinery, into which it is to be incorporated, has been declared in conformity with the provisions of directive 2006/42/EC on machinery.

Die zur Maschine gehörenden speziellen technischen Unterlagen nach Anhang VII Teil B wurden erstellt.

The machinery related special technical documentation according annex VII B has been created.

Der Hersteller verpflichtet sich, die speziellen Unterlagen zur unvollständigen Maschine einzelstaatlichen Stellen auf Verlangen elektronisch zu übermitteln. Die gewerblichen Schutzrechte des Herstellers der unvollständigen Maschine bleiben hiervon unberührt.

The manufacturer commits to transmit, in response to a reasoned request by the market surveillance authorities, relevant documents on the partly completed machinery electronically by our documentation department.

The intellectual rights of the manufacturer of the incomplete machine are not affected.

Offenburg, 23.5.2014

Jürgen Killius, *Operations Manager*

Parker Hannifin GmbH
Sitz: Bielefeld HRB 35489
USt-IdNr.: DE 122 802 922
Steuernummer: 5349 5747 1543

Commerzbank Offenburg
BLZ 664 400 84
Konto-Nr. 45 0 19 12 00
BIC/Swift-Code: COBADEFF
IBAN DE95 6644 0084 0450 1912 00

Geschäftsführung:
Dr. Gerd Scheffel, Günter Schränk, Ellen Raahede, Kees Vernaart
Vorsitzender des Aufsichtsrates: Hansgeorg Greuner

1.4 ATEX declaration of conformity



Parker Hannifin Manufacturing Germany GmbH & Co KG

Robert-Bosch-Straße 22
D-77656 Offenburg

Tel.: +49 (0) 781-509-0
Fax.: +49 (0) 781-509-98

www.parker-eme.com

EU KONFORMITÄTSERKLÄRUNG EU DECLARATION OF CONFORMITY

ACCORDING TO EU DIRECTIVE 2014/34/EU CONCERNING EQUIPMENT AND PROTECTIVE SYSTEMS INTENDED FOR USE IN POTENTIALLY EXPLOSIVE ATMOSPHERES

Dokumenten Nr. / Declaration No.: **DoC014-R 2.0**

Firma / Manufacturer: **Parker Hannifin GmbH**
Bevollmächtigter / Authorized person: **Jürgen Killius**

Anschrift / Address: **Robert-Bosch-Straße 22, 77656 Offenburg, Deutschland**

Produkt / Gerät: / Product / Equipment: **ETH: Parker High Force Electro Thrust Cylinder**

Baugrößen / Frame sizes: **ETH032; ETH050; ETH080; ETH100; ETH125**

Ausführungen:
Options: **Alle im Bestellschlüssel aufgeführten Optionen
All options which are specified in the order code**

Der oben genannte Hersteller / Bevollmächtigte erklärt, dass das Produkt den folgenden grundlegenden Anforderungen der Richtlinie 94/9/EG (bis 19. April 2016) und Richtlinie 2014/34/EU (ab 20. April 2016) entspricht:
The above mentioned Manufacturer / authorized person declare that the product is complying with the following essential requirements of the directive 94/9/EC (till 19. April) and directive 2014/34/EU (as of 20. April 2016):

Kennzeichnung:
Designation:

ETH032 & ETH050:



II 2G c IIC T4

ETH080 & ETH100 & ETH125:



II 2G c IIB T4

Das Konformitätsbewertungsverfahren wurde in Anlehnung an die Richtlinie 2014/34/EU (ATEX) durchgeführt. Die entsprechenden Unterlagen sind bei folgender benannten Stelle (Nr. 2004) hinterlegt:

The conformity assessment procedure has been carried out in accordance with Directive 2014/34/EU (ATEX). The relevant documents are deposited at the notified body (No. 2004):

Bureau Veritas Consumer Products Services Germany, Businesspark A96, 86842 Türkheim, Germany

Normen / Standards: Ausgabe / Edition	Titel / Title
EN 1127-1 :2011	Explosive atmospheres - Explosion prevention and protection - Part 1: Basic concepts and methodology
EN 13463-1 :2009	Non-electrical equipment for use in potentially explosive atmospheres - Part 1: Basic method and requirements
EN 13463-5 :2011	Non-electrical equipment intended for use in potentially explosive atmospheres - Part 5: Protection by constructional safety 'c'

Weitere einschlägige Bestimmungen: Maschinenrichtlinie 2006/42/EG
More relevant purposes: Machinery directive 2006/42/EC

Der in der Betriebsanleitung beschriebenen bestimmungsgemäßen Verwendung und den Sicherheits-, Installations- und Bedienungshinweisen muss Folge geleistet werden.
The intended use must be secured. These products must be installed and operated with reference to the instructions in the Product Manual. All instructions, warnings and safety information of the Product Manual must be adhered to.

Änderungen an den genannten Geräten sind nicht zulässig.
Modifications on the named equipment are not permitted.

Werden die genannten Geräte in eine übergeordnete Maschine eingebaut, so müssen die durch den Einbau entstehenden neuen Risiken durch den Hersteller der neuen Maschine beurteilt werden.
If the above-named products are installed in a higher-ranking machine, the new risks arising from their installation must be assessed by the manufacturer of the new machine.

Offenburg, 11.02.2016
Jürgen Killius, Operations Manager

Parker Hannifin GmbH
Sitz: Bielefeld HRB 35489
USt.-IdNr.: DE 122 802 922
Steuernummer: 5349 5747 1543

Commerzbank Offenburg
BLZ 664 400 84
Konto-Nr. 45 0 19 12 00
BIC/Swift-Code: COBADEFF
IBAN DE95 6644 0084 0450 1912 00

Geschäftsführung:
Dr. Gerd Scheffel, Günter Schrank, Ellen Raahede, Kees Veraart
Vorsitzender des Aufsichtsrates: Hansgoerg Greuner

1.5 Introduction to ATEX

In this chapter you can read about:

Explosive atmospheres.....	8
Harmonized European ATEX Standard	8
Zone classification / device categories.....	8
Type of explosion protection.....	9
Explosion subgroup.....	10
Temperature classes	10
ATEX and machinery directive.....	10

ATEX = “ATmosphère EXplosible”

Introduction to the European ATEX directive

1.5.1. Explosive atmospheres

Directive 2014/34/EU defines an explosive atmosphere as a mixture of:

- a) flammable substances - gases, vapors, mists or dusts
- b) and air
- c) under defined atmospheric conditions
- d) in which, after ignition has occurred, combustion spreads to the entire unburned mixture

(NOTE: dust may not burn entirely after ignition).

A “potentially explosive atmosphere” is an atmosphere which could become explosive due to local and operational conditions. Devices concerned by directive 2014/34/EU are defined as designed for the use in potentially explosive atmospheres.

1.5.2. Harmonized European ATEX Standard

The EU accepted two harmonized directives for health and safety.

Requirements for machinery and equipment

Directive 2014/34/EU defines the minimum safety requirements in EU member states for products used in potentially explosive atmospheres.

Requirements for OEM / user

ATEX directive 99/92/EC (ATEX 137) sets out the minimum requirements for improving the health and safety protection of workers potentially at risk from explosive atmospheres with regard to workplace, working conditions and the handling of products and materials. This directive classifies the workplace into zones and defines criteria for categorizing the products within the zones.

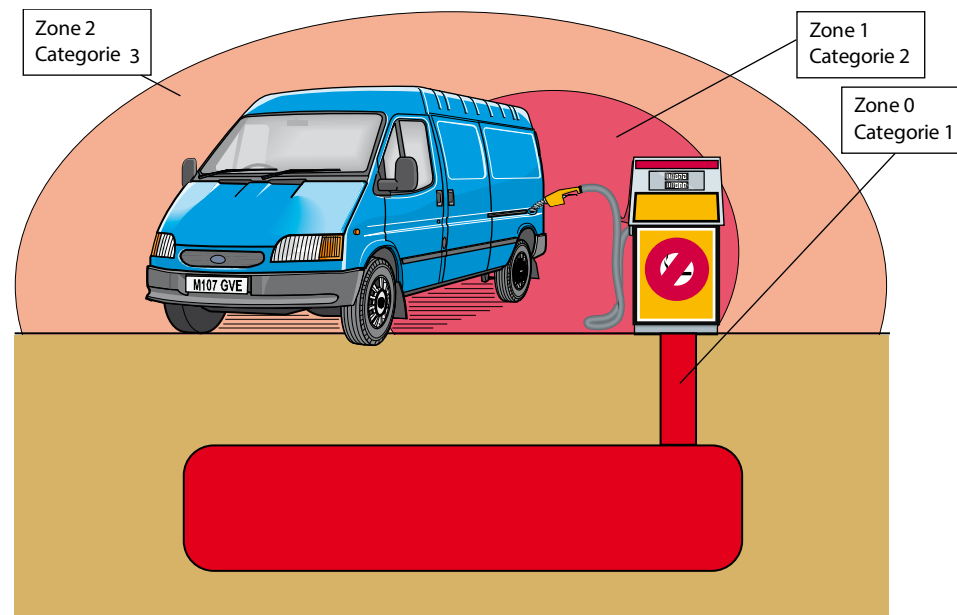
1.5.3. Zone classification / device categories

The table below describes the zones of an installation, where potentially explosive atmospheres may occur. The proprietor must analyze and assess the area, where explosive gas/dust mixes may occur and, if necessary, subdivide them into individual zones. This zone classification permits to select suitable machinery and equipment which can be used in this area.

User			Suitable machinery and devices		
Gas zone	Dust zone	Presence of potentially explosive atmospheres	Equipment Group *	Equipment Category	Area of application (not mining)
0		Permanently, often, for a long period approx. > 1000 h / year	II	1G	Gases, mist, vapor
	20		II	1D	Dust
1		occasionally approx. 10 ... 1000 h / year	II	2G	Gases, mist, vapor
	21		II	2D	Dust
2		rarely, for a short period, in the event of an error approx. < 10 h / year	II	3G	Gases, mist, vapor
	22		II	3D	Dust

* Equipment for use in areas (except underground in mining) which might be dangerous due to an explosive atmosphere.

Example:



1.5.4. Type of explosion protection

In addition to category and device class, which are the minimum required information, the device or component designation gives additional information with reference to the type of protection and explosion group for gases and mists. The type of explosion protection defines which method or measures is/are used for explosion protection in given equipment or individual components.

For non electric equipment, the following types of explosion protection are possible:

Type of explosion protection	Designation	Applied standard
Flameproof enclosure	d	EN 13463-3
Pressurized apparatus	p	EN 13463-7
Intrinsic safety	g	EN 13463-4
Restricted breathing	h	EN 13463-2 (except category 1)
Constructional safety	c	EN 13463-5
Ignition source monitoring	b	EN 13463-6
Liquid immersion	k	EN 13463-8

1.5.5. Explosion subgroup

The explosion group is an indicator for the inflammability (explosive potential) of gases (explosive atmospheres). The requirements for the equipment increase from IIA to IIC.

Explosion subgroup	Examples for gases
IIA	Propane, acetone, ammonia, gasoline, benzene, diesel fuel, heavy fuel, methane, methanol, propane
IIB	Ethylene, ethyl alcohol, hydrogen sulphide
IIC	Hydrogen, carbon disulphide, acetylene

Gas explosion subgroups of the Parker ETH electro cylinder (see on page 11).

1.5.6. Temperature classes

Classification of flammable gases and vapors depending on their ignition temperature:

Class	Maximum permitted material surface temperature [°C]
T1	450
T2	300
T3	200
T4	135
T5	100
T6	85

For flammable substances, the temperature class and the maximum permitted surface temperature of the equipment are of essential importance.

1.5.7. ATEX and machinery directive

The ATEX directive is in effect since July 1st. 2003 and replaces the individual laws of the respective countries with reference to explosive atmospheres. While previously only referring to electrical devices, the directive now does also comprise mechanical, hydraulic and pneumatic devices.

With reference to the machinery directive 2006/42/EC it must be taken into consideration, that a number of external requirements stated in the ATEX directive 2014/34/EU refer to dangers occurring in explosive atmospheres, whereas the machinery directive does only list requirements for explosion protection.

Hence, the ATEX directive 2014/34/EU is superior to the machinery directive with reference to explosion protection in potentially explosive atmospheres. The requirements of the machinery directive are however valid for all other dangers when operating machines.

1.6 ETH ATEX marking

Parker ETH - Electro Cylinder with the ATEX supplement are certified for use in explosive gas atmospheres (device group II, category 2G).
 An ETH - Electro Cylinder with the ATEX supplement complies with the requirements of the EC directive 2014/34/EU. Below you can find an explanation of the features and areas of usage resulting from the ATEX marking:



ETH032 & ETH050: II 2 c IIC T4

- II Equipment group II, all areas, except underground (mining)
- 2G Zone 1, 2, gas explosion category 2G, 3G
- c constructional safety in accordance with DIN EN 13463-5
- IIC suitable for explosive region IIA, IIB and IIC.
 Typical gases: Hydrogen
 Ignition energy: >45 µJoule
- T4 Temperature class 4
 Ignition temperature of flammable substances > 135°C



ETH080, ETH100, ETH125: II 2G c IIB T4

- II Equipment group II, all areas, except underground (mining)
- 2G Zone 1, 2, gas explosion category 2G, 3G
- c constructional safety in accordance with DIN EN 13463-5
- IIB suitable for explosion region IIA and IIB.
 Typical gases: Ethylene
 Ignition energy: >160 µJoule
- T4 Temperature class 4
 Ignition temperature of flammable substances > 135°C

Classification

Equipment group	Equipment Categories	Protection class	Explosion group	Temperature class	ETH frame size
II	2G	c	IIC	T4	ETH032 ETH050
II	2G	c	IIB	T4	ETH080 ETH100 ETH125

Equipment group	Equipment Category	Area	Inflammable Substances	Protection class	Explosion group	Temperature class
I Mines (Underground / mining)	II Surfaces (all areas, except underground / mining)	1G	Gas	d	IIA	T1 < 450 °C
		2G			IIB	T2 < 300 °C
		3G			IIC	T3 < 200 °C
		1D	Dust	h		T4 < 135 °C
		2D			c	T5 < 100 °C
		3D			b	T6 < 85 °C
					k	

ETH ATEX can be used in these areas.

1.7 Intended use

The incomplete machine can only be set in operation if it is sure that the machine in which the incomplete machine shall be mounted is conform to the 2006/42/EG machine directives.

Without further measures the product is not suitable for safety-oriented tasks. The linear motor module must only be used in areas that are not accessible to persons during operation.

If the linear actuator is used in areas accessible to people, it must be installed in such a manner that no one can be endangered during operation.

The described safety, installation and operating instructions must be adhered to.

The general functioning mode consists in converting a rotational movement in a linear movement without slip within the product related load limits according to the information in the catalogue.

Its applications are in industry and trade.

The linear actuator has a number of uses including: Positioning, transporting, feeding, removing, pallet handling, loading, unloading, processing and manipulating as well as testing work pieces or tools. Since the component can be used in a very wide range of applications, the user is responsible for its use in specific applications.

ATEX specific requirements

Strict adherence to the intended use of ATEX certified cylinders is the absolute prerequisite for their use in explosive atmospheres.

While using the ETH cylinder as intended, the ignition temperature will not be exceeded in any part of the ETH cylinder. The ETH cylinder is heated by the thermal effect of the motor or the gearbox as well as by the frictional heat generated by the spindle nut and the bearings, the latter however only if the cylinder is in motion. The relevant heating occurs with high force, travel speed and cycle time of the spindle nut. Therefore, the thermal behavior of the ETH cylinder must be taken into consideration when dimensioning a drive application. The application and therefore the temperature behavior must be checked on the basis of force - velocity - diagrams. An application specific measurement and certification is also possible for critical applications or for further optimization. Please observe the Project notes (see on page 23) as well as the document "ETH ATEX: Basic conditions for the use". http://solutions.parker.com/eth_support
Besides the heating behavior of the cylinder, the following boundary conditions must be respected when using the cylinder in explosive atmospheres:

- ◆ The ETH is especially designed for the use in explosive atmospheres in accordance with the specifications of the ATEX directive 2014/34/EU.
- ◆ The operation of the electro cylinder is only permitted within the application data checked via force - velocity - diagrams or application specific measurement.

Furthermore, it applies for the intended use:

- ◆ The ETH can be used in defined explosive atmospheres (see on page 11).
- ◆ The shortened lubrication intervals applicable for ATEX are mandatory.
- ◆ In short-stroke applications (stroke shorter than 2.5 times the screw lead), the specified lubricating runs must be performed as described in the operating/mounting instructions.

- ◆ The cylinders must be replaced after 90 % of the attainable service life.
- ◆ The permitted maximum lateral force on the thrust rod = 0.
- ◆ No additional thermal effect due to a mechanical connection of the thrust rod with a workpiece fixture or such, which might lead to a heating of the screw nut.
- ◆ The product is designed for professional use and is not intended for private use.
- ◆ Operational safety of the ETH is only guaranteed with intended use.
- ◆ When installing the ETX ATEX please make sure that the ambient temperature of 40 °C is not exceeded (enough convection, ...).
- ◆ The heat input by the drive (motor, gearhead) shall not exceed 135 °C. We recommend to use a motor or gearhead with temperature class T4 or higher.

1.7.1. Applications not in accordance with the intended use

For risks of applications not in accordance with the intended use the user shall bear the sole responsibility. Parker Hannifin does not accept any liability for damages caused by applications not in accordance with the intended use of the product.

1.8 Operator's obligations

Legal requirements for the operator are directive 99/92/EC (ATEX 137) as well as the implementation of the industrial safety regulation, which is supported by the technical rules BG 104, BG 134 and TRBS 2152 and others.

The most important topics for explosion protection on the operator side are:

- ◆ Grading and classification of explosive areas
- ◆ Criteria for the selection of devices and protective systems
- ◆ Explosion protection document (with risk assessment, measures taken, zone classification, requirements for equipment, plant must be designed, operated and maintained safely)
- ◆ Minimum requirements for increased safety and health protection of the employees, who might be in danger due to explosive atmospheres

Furthermore, the following responsibilities of the operator apply for the use of the ETH ATEX cylinder:

- ◆ Making sure that the the intended use is observed
- ◆ The operator of the entire system must ensure that the ETH is mounted by authorized and qualified personnel only. Authorized personnel means trained specialized employees of the customer, the manufacturer or of a service partner, who work in accordance with the specifications for explosion protection.
- ◆ Regular instruction of the operating personnel
- ◆ Taking dangers of ignition resulting from the installation of equipment into a system into consideration.
- ◆ Do NOT try to make unauthorized repairs. In this case, please do contact Parker.

1.9 Safety instructions

In this chapter you can read about:

General hazards	14
Identifying Residual Dangers and Hazardous Areas	14
Working safely	14
Safety Instructions for the Company Using the System	15
Safety Instructions for Operating Personnel	15
ATEX specific safety instructions	16

1.9.1. General hazards

General Hazards on Non-Compliance with the Safety Instructions

The subsystem has been designed in accordance with state-of-the-art technical developments and is operationally reliable. If it is not operated by qualified or at least trained personnel or if it is operated improperly or not in accordance with the operating instructions, however, the unit may bear the risk of hazards.

Electronic, moving and rotating components can

- ◆ represent a danger for life and limb of the operator or third persons
- ◆ and / or cause material damage.

If the linear actuator is installed in a machine plant, the safety requirements noted in the operating instructions for that machine must be combined with those described in this manual.

1.9.2. Identifying Residual Dangers and Hazardous Areas

If there are still residual dangers present to persons or property from the linear actuator in spite of operating it in a safe manner, the user must make reference to these residual dangers through signs and written rules requiring appropriate procedures.

The following safety signal words are used:



Indicates that an imminent hazardous situation may lead to death or serious bodily harm if not prevented using appropriate safety measures.



Indicates a potentially hazardous situation which, if not avoided using appropriate safety measures, could result in serious or minor injury.



Indicates a potentially hazardous situation which, if not avoided using appropriate safety measures, may result in minor injury or material damage.



Provides important information about the product, how to handle the product or about the part of the manual to which particular attention must be paid.

1.9.3. Working safely



The information (such as instructions and notes) contained in this manual must be heeded for all work involved in installing, commissioning, setting up, operating, changing operating conditions and modes, servicing, inspecting and repairing the unit.

The manual must be available close to the linear module during the performance of all tasks.

It is impermissible to operate the liner module if it is not in perfectly functional condition.

Operating personnel

Only qualified expert personnel is permitted to perform works on the linear actuator. All the applicable regulations and provisions must be heeded (IEC, EN, national accident prevention regulations etc.).

Qualified persons as the term is used in this manual are persons who:

- ◆ persons who, by virtue to their training, experience and instruction, and their knowledge of pertinent norms, specifications, accident prevention regulations and operational relationships, have been authorized by the officer responsible for the safety of the system to perform the required task and in the process are capable of recognizing potential hazards and avoiding them (definition of skilled persons in accordance with VDE015 or IEC364)
- ◆ Persons who have a knowledge of first-aid techniques and the local emergency rescue services.
- ◆ Persons who have read and will observe the safety instructions.

Instructions for Special Hazards



DANGER

The linear module must be fixed or supported in accordance with the indications in this manual.

The operator must ensure that operation of the linear module does not cause any danger.

If the linear module moves in hazardous areas, these areas must be safeguarded with safety transmitter switches.

1.9.4. Safety Instructions for the Company Using the System



WARNING

Supervisors must also become familiar with the entire chapter entitled "Safety" and handling required on the linear actuator.

Supervisors must ensure that installation and operating personnel have read and understand the chapter entitled "Safety" and the description of how to work with the machine, and that they observe the instructions.

The manual must be available close to the linear module during the performance of all tasks.

It is impermissible to operate the liner module if it is not in perfectly functional condition.

Depending on the application, the operating company must provide for a suitable separating safety fence. Access to the motion range during operation must be prevented.

The user must make sure that the work area is protected by appropriate safety devices.

1.9.5. Safety Instructions for Operating Personnel



WARNING

Any work step that has a negative effect on the operating safety of the linear motor module must be omitted.

Operating and supervisory personnel are required to check the linear actuator or machine at least once per shift for externally visible damage or defects. Changes that have occurred (including the operating behavior) that could have a negative effect on the operating safety must be reported immediately.

Components and accessories are designed especially for this product. When purchasing spare and wearing parts, use only original Parker parts. We note here explicitly that we are unable to check or release spare parts or accessories that were not provided by us. Installing and/or using such products may cause negative changes in the required design properties in some circumstances, which in turn could negatively effect the active and/or passive operating safety of the product.

Depending on the operating conditions (rotation speed, load, etc.) increased surface temperature in the area of the drive may occur. When touching it during operation slight injuries from burning may occur. Don't touch the product during operation. At maintenance, service and repair always take care that the product is cooled off before starting work.

The manufacturer is unable to accept any liability for damage caused by using non-original parts and accessories.

Safety and protection devices are strictly NOT to be removed or bypassed or set out of order.

Applicable requirements and national accident prevention regulations must always be observed when installing and operating our linear motor module.

1.9.6. ATEX specific safety instructions



If the operating instructions and the technical specifications are not respected, the declaration of conformity expires in accordance to the ATEX directive 2014/34/EU.

1.9.6.1 General safety instructions - ATEX



The operator of the entire system must ensure that the ETH is mounted by authorized and qualified personnel only. Authorized personnel means trained specialized employees of the customer, the manufacturer or of a service partner, who work in accordance with the specifications for explosion protection. The linear actuators may not be modified with respect to the design or safety-related features without the written approval of Parker Hannifin Manufacturing Germany GmbH & Co. KG. Any unauthorized modification in this respect will exclude any liability on the part of Parker Hannifin Manufacturing Germany GmbH & Co. KG.

- ◆ It is strictly forbidden to dismount or disable safety and protection devices.
- ◆ In addition, the following rules and regulations apply as a matter of course:
 - ◆ the applicable regulations for health and safety at work,
 - ◆ generally accepted rules for the safe operation of machinery,
 - ◆ the EU Directives and
 - ◆ any special regulations of the respective country/state.

1.9.6.2 Product specific safety instructions



Danger of explosion when working in explosive atmospheres!

- ◆ If the system where the cylinder is to be mounted is surrounded by an explosive atmosphere, it may ignite during work.
Do always respect the local installation regulations.

Danger of explosion due to spark formation!

- ◆ Electrostatic charge of the cylinder may lead to sparks and cause danger of explosion in explosion protection zones.
Avoid electrostatic charge.
The cylinder must be grounded and be a part of the grounding concept. Ground cylinder via the motor and the cylinder mounting (machine frame).

Mechanical charges cause sparks and danger of explosion.

- ◆ Never expose the cylinder to powers of impact during transport, mounting and operation.
- ◆ Some thrust rod ends and mounting methods permit oscillating rotational and pivoting movements of the cylinder. If these elements are used:
Make sure, that circumferential speeds at the friction surfaces do not exceed 1 m/s.
- ◆ Never twist or bend the cylinder or fix it under stress.
- ◆ Avoid incorrect load mounting at the thrust rod end, see chapter 4: setup.

Furthermore, it applies for the intended use:

- ◆ The ETH can be used in defined explosive atmospheres (see on page 11).
- ◆ The shortened lubrication intervals applicable for ATEX are mandatory.
- ◆ In short-stroke applications (stroke shorter than 2.5 times the screw lead), the specified lubricating runs must be performed as described in the operating/mounting instructions.
- ◆ The cylinders must be replaced after 90 % of the attainable service life.
- ◆ The permitted maximum lateral force on the thrust rod = 0.
- ◆ No additional thermal effect due to a mechanical connection of the thrust rod with a workpiece fixture or such, which might lead to a heating of the screw nut.
- ◆ The product is designed for professional use and is not intended for private use.
- ◆ Operational safety of the ETH is only guaranteed with intended use.
- ◆ When installing the ETH ATEX please make sure that the ambient temperature of 40 °C is not exceeded (enough convection, ...).
- ◆ The heat input by the drive (motor, gearhead) shall not exceed 135 °C. We recommend to use a motor or gearhead with temperature class T4 or higher.

 DANGER

Only Ex certified devices (e.g. motors, gearboxes, limit sensor or force sensors) which adhere to potentially explosive environments are allowed to be mounted on the ETH ATEX. In the case of ETH ATEX this would be equipment category 2G (for Area1), explosion area IIB resp. IIC and temperature class T4. The rule for this is always the lowest ATEX Classification of the EX devices used.

 DANGER

If the customer installs and operates the ETH ATEX with e.g. motor, gearbox, sensors, etc., the user must ensure that no new sources of ignition are created by assembling and operating the ETH ATEX with other EX devices. Please observe the proper use of the individual EX devices.

NOTICE

Depending on the data operating the ETH ATEX and the ambient temperature, the surface of the electro cylinder can heat up to maximum 80°C due to its inside losses. Please consider this when dimensioning the drive options (motors resp. motor-gearhead combination).

1.10 Packaging, storage, transport

First check

- ◆ Check the packaging for damages.
- ◆ Remove the packaging.
Do not discard the packaging; it is strongly recommended to use the original packaging material for return deliveries.
- ◆ Depending on the storage location, metal surfaces may have a temperature of 0 °C or below. Please provide appropriate worker protection (e.g. protective gloves).
- ◆ Please ensure that the consignment does correspond to your order.
- ◆ Check the product for damages. Do never use a device which seems damaged.
- ◆ Please read the installation manual carefully before installing or commissioning the device.

Packaging material



WARNING

The packaging material is inflammable, if it is disposed of improperly by burning, lethal fumes may develop.

Transport

Make sure to transport the linear module always in a safe manner and with the aid of suitable lifting equipment (Means of transport).

Storage

The linear module must be stored evenly and without any mechanical load. The stated storage temperature must be adhered to.

Disposal

We recommend to dispose of the respective materials in accordance with the respectively valid environmental laws. The following table states the materials suitable for recycling and the materials which have to be disposed of separately.

Material	suitable for recycling	Disposal
Metal	yes	no
Plastic materials	yes	no

1.10.1. Special notes on transport

Special notes on transport

Use only transport equipment with sufficient lifting capacity. When using ropes, make certain they are not twisted or knotted. If you are using more than one rope, all the ropes should be equally taut.

When transporting the cylinder with a forklift, establish a condition of equilibrium and secure the load if necessary.



WARNING

Never step under overhead loads danger of being injured!

Use only transport equipment with sufficient lifting capacity. Take care of structural safety when using lifting equipment!

Moving parts must always be secured against slipping or moving.

Maximum weight of the ETH Electro Thrust Cylinder with Parker drive

ETH032	ETH050	ETH080	ETH100	ETH125
20 kg	40 kg	100 kg	220 kg	490 kg

The weights mentioned are max. values. They contain the max. stroke, the heaviest options and the largest drives.

The following threads on the cylinder can be used to fix transport or mounting appliances (e.g. eye bolts):

Motor inline: ETH032 ... ETH080

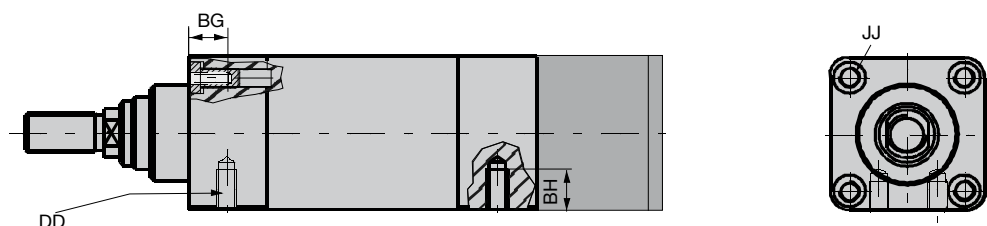


Figure 1: Motor inline: ETH032 ... ETH080

Motor parallel: ETH032 ... ETH080

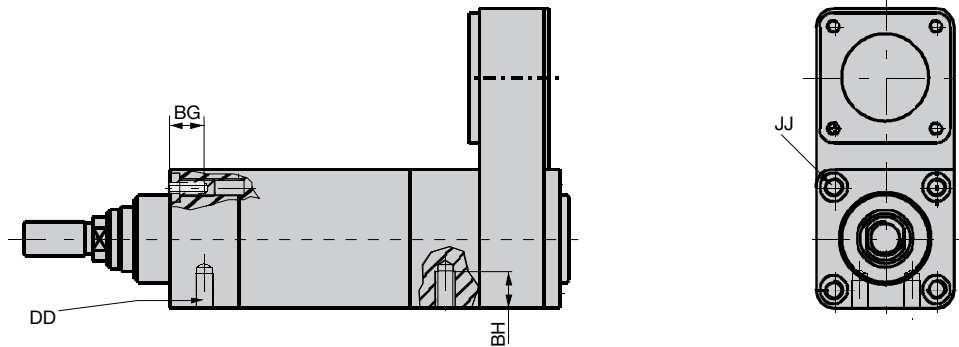


Figure 2: Motor parallel: ETH032 ... ETH080

	Unit	ETH032	ETH050	ETH080
DD ⁽¹⁾	mm	M6x1.0	M8x1.25	M12x1.75
YY	mm	M6x1.0	M8x1.25	M10x1.5
BH	mm	9	12.7	18.5
BG	mm	16	25	26

⁽¹⁾ Thread "DD" available with mounting method "F".

Note the following points:

- ◆ Please make sure that at least two eye bolts are used and that the load on all eye bolts is evenly distributed.
- ◆ Full load of the eye bolts in a maximum angle of 45° (please refer to Figure 3: Maximum angle eye bolt).
- ◆ Don't use lateral traction (please refer to Figure 4: Eye bolt without rope pull).
- ◆ Before use the eyes bolts must be checked that they are firmly seated and not damaged.
- ◆ The eye bolts are level and grid with the surface.
- ◆ Deformed eye bolts should not be used and screwed anymore.
- ◆ Supplied eye bolts are not made of stainless material and must therefore be removed after installation of IP65 or VA-option.
- ◆ In case the cylinder is dismantled from the machine at a later time, new eye bolts must be used due to safety reasons!

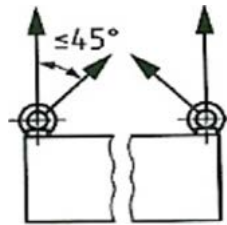


Figure 3: Maximum angle eye bolt

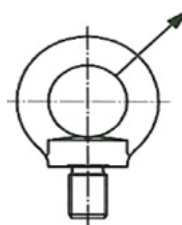
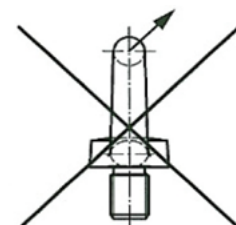


Figure 4: Eye bolt without rope pull



Motor inline: ETH100&125

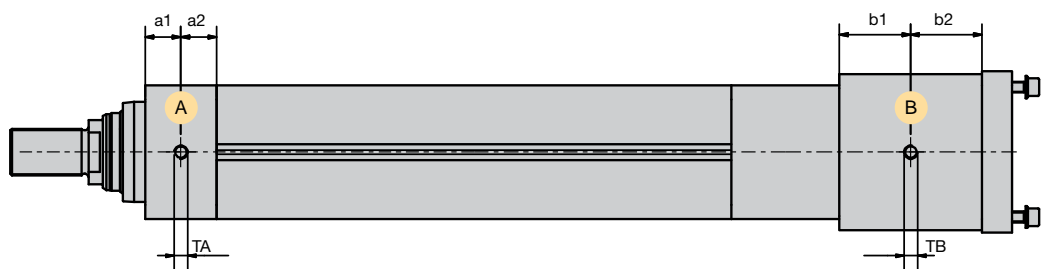


Figure 5: Transport instructions ETH100&125 inline

Area A: Front cap
 Area B: Inline coupling housing
 Thread TA and TB: on all four sides

⚠ WARNING

From frame size ETH 100 on, the provided M12 threads (please refer to Figure 5: Transport instructions ETH100&125 inline and Figure 6: Transport instructions ETH100&125 parallel) must be used together with M12 external thread eye bolts in accordance with DIN 580.

Motor parallel: ETH100&125

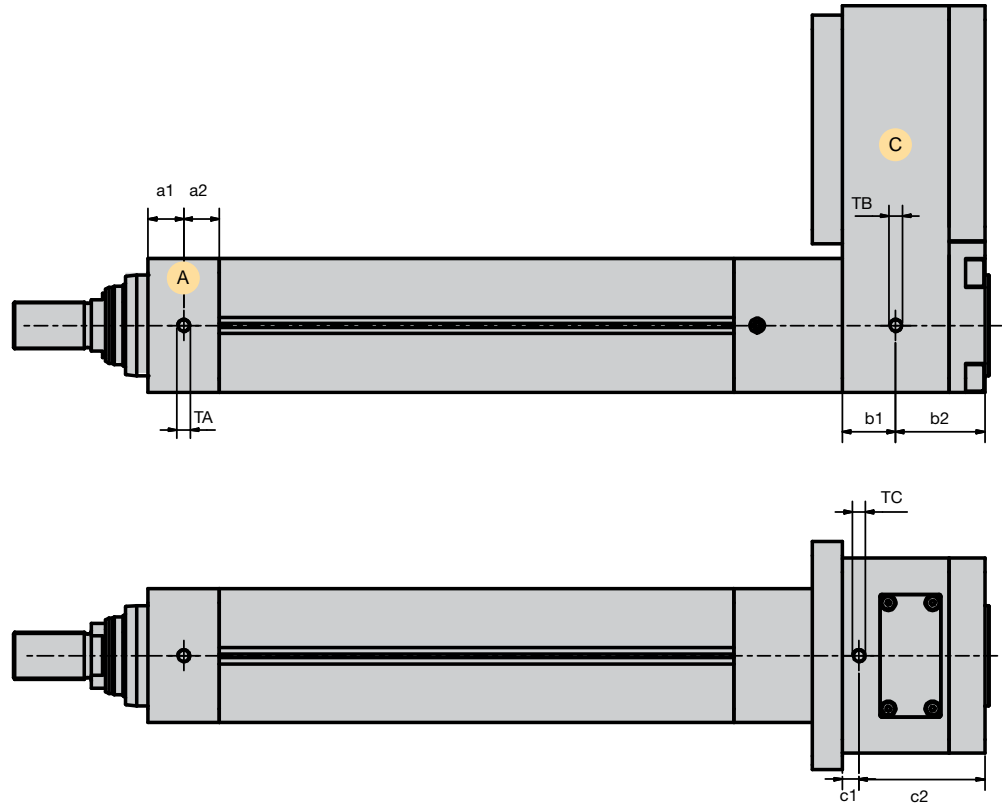


Figure 6: Transport instructions ETH100&125 parallel

Area A: Front cap
 Area C: Parallel housing
 Thread TA: on all four sides
 Thread TB: also on the opposite side, but not on the underside

	Unit	ETH100		ETH125	
		inline	parallel	inline	parallel
a1	mm	32	32	55	55
a2	mm	32	32	50	50
b1	mm	64	48	72	61.5
b2	mm	64	80	72.5	101.5
c1	mm	--	15	--	24
c2	mm	--	113	--	139
TA	mm	M12x12	M12x12	M12x18	M12x18
TB	mm	M12x12	M12x15	M12x22	M12x25
TC	mm	--	M12x18	--	M12x25

1.11 Terms of guarantee / warranty

These operating instructions are subject to changes including changes in technical details with respect to the information and figures contained herein.

Parker Hannifin Manufacturing Germany GmbH & Co. KG grants no quality or durability guarantees nor any guarantees as to the suitability for specific purposes. Such guarantees must be expressly agreed upon in writing

Public statements, recommendations or advertising do not in any way represent quality specifications.

The operator's warranty rights require that the operator immediately report any defects and precisely describe said defects in the complaint. Parker Hannifin Manufacturing Germany GmbH & Co. KG is not responsible under any circumstances for damage to the product itself or any consequential damage caused by the product resulting from improper handling of the product. If Parker-Hannifin Manufacturing Germany GmbH & Co. KG is responsible for a defect, Parker-Hannifin Manufacturing Germany GmbH & Co. KG shall be authorized, at its discretion, to undertake improvements or deliver replacements. In compliance with ISO 9000, all products are equipped with a type plate that is connected to the device. The type plate must not be removed or damaged under any circumstances.

Parker Hannifin Manufacturing Germany GmbH & Co. KG shall not be held liable, regardless of any legal basis, except for cases of intent or gross negligence; injuries to life, body or health; or defects of malicious nondisclosure or whose absence was expressly guaranteed in writing.

Furthermore, if there is compulsory liability under the Product Liability legislation for personal injury and property damage to privately used objects, in the event of negligent breach of significant contractual obligations, Parker Hannifin Manufacturing Germany GmbH & Co. KG shall also be liable for cases of ordinary negligence; however, this is limited to damages that are contractually typical and foreseeable.

Further claims are hereby excluded.

Failure to adhere to these operating instructions or the relevant statutory provisions as well as any other information from the supplier shall invalidate the warranty.

In particular, we are not responsible for failures caused by modifications made by the customer or other parties. In such cases, the normal repair costs will be calculated. These costs will likewise be calculated for a check of the unit if no fault can be determined on the unit.

This regulation also applies during the warranty period.

No claims exist as to the availability of previous versions or to the retrofitting capacity of the units delivered to adapt them to the respectively current model version.

User Conversions and Changes are Not Permitted

The linear actuator must not be changed in its design or in terms of safety without our approval. Any change as defined here made by the user excludes any liability on our part.

1.12 Conditions of utilization

General introductory notes

With the electro cylinder you bought a product which was manufactured and tested before delivery with the utmost care.

Please take your time to read the following notes which you ought to follow closely during setup and operation.

The operation of the electro cylinder is only permitted within the limit values stated in this manual.

Unless, all claims under the warranty will become void and a reduced service life or even damages must be expected.

Please compare the operating data with the stated limit values especially with reference to:

- ◆ Stroke length and setting of the limit switches, those must be set so that there is a sufficient safety travel at both ends of the travel stroke

NOTICE

Even if the limit switches were already mounted at our premises, they must be adapted according to suitable values before operation!

- ◆ Thrust and traction force in the effective direction
- ◆ Lateral force (e.g. as a component of the effective force, but also due to own weight on horizontal mounting, especially with parallel motor mounting and long travel strokes)
- ◆ Speed
- ◆ Acceleration
- ◆ Environmental conditions (e.g. temperature, contamination)
- ◆ Please do take possible pulses caused by moved masses into consideration for the operating data. (Even small abrupt loads can cause damage, especially if they occur rather often at the same place.)

The limit values for the thrust and traction force, lateral force, speed and acceleration are partly influenced by several factors and can change depending on:

- ◆ The size of the electro cylinder
- ◆ Screw lead
- ◆ Direct or parallel drive via toothed belt transmission
- ◆ Mounting method
- ◆ Mounting orientation vertical or horizontal resp. inclined
- ◆ Travel Stroke

Note on cylinder mounting

DANGER

Do always use all available mounting possibilities and respect the requirements listed in chapter "Screw tightening torques for the mounting of the ETH cylinder by the customer". (see on page 25)

If the motor used with the electro cylinder should be able to exceed individual limit values of the cylinder, the respective values for the motor must be limited in the control by appropriate parameterization. The parameterization should even be reduced down to the values necessary for operation.

This would, for example provide a hint to a possible damage or to preventive maintenance if wear-induced extensive friction of the machine or cylinder would trigger an error message of the controller.

CAUTION

The internal end stops of the electro cylinder may under no circumstances be accessed during operation. The internal end positions may only be accessed by the cylinder in setup mode and only for determining the end positions resp. for relubrication with a low force of a few N (torque limitation if possible below 10 %) and very slowly (max. 2 % of the nominal speed).

The lifetime of the electro cylinder depends strongly on the degree of power exploitation and on impermissible operating states occurring - even if only for a short time.

CAUTION

Depending on the operating conditions (rotation speed, load, etc.) increased surface temperature in the area of the drive may occur. When touching it during operation slight injuries from burning may occur. Don't touch the product during operation. At maintenance, service and repair always take care that the product is cooled off before starting work.

1.13 Planning of the ETH - Electro Cylinder for EX-Environment

Procedure for project development of the ETH - Electro Cylinder for explosive environment

	Responsibility/ Cooperation	Procedure	Documents
1.	Operator	Check der Basic conditions for ATEX Please check by means of this document whether the basic conditions for the use of the ETH Electro Cylinder in explosive environment are possible.	ETH ATEX: Basic conditions for the use, chapter 1 to 3 Part No.: 192-550006
2.	Operator	Planning of the ETH - Electro Cylinder Please plan and design the ETH - Electro Cylinder for your application by means of the ETH product catalogue	ETH Product Catalogue Part No.: 192-550003
3.	Operator	Check the heating of the ETH - Electro Cylinder Determine your ATEX application data and check by means of the F-v-Diagram (ETH032, ETH050 and ETH080 only) if the heating of the selected ETH - Electro Cylinder is within the accepted range of the required data application (if so, continue with 5.) For ETH100 and ETH125 an application specific approval is necessary (continue with 4.2)	ETH ATEX: Basic conditions for the use, chapter 5 Part No.: 192-550006
4.	Operator	Adaption of the ETH - Electro Cylinder or of the application data In case the heating of the selected ETH with the required application data is outside the permitted area you can continue as follows:	
4.1	Operator	- Select larger ETH - Electro Cylinder (size of cylinder, Pitch), - Reduce the application data (Force, Speed or Duty cycle) or	
4.2	Parker / User	- Ask for a application specific release	
5.	Operator	Ordering the ETH Electro Cylinder with ATEX Option If the heating of the ETH - Electro Cylinder is within the permissible are of the F-v-Diagram (a) or if an application specific release (b) from Parker Hannifin is necessary, the selected ETH can be used within the ATEX application described. a) standard ATEX Cylinder, A No.: 000 b) application specific ATEX release, A-No.:xxx	

2. Set-up

In this chapter you can read about:

Mounting	24
Electric installation	29
Motor/ gear assembly	32

Read safety instructions (see on page 14) before taking into operation!

The product is furnished completely mounted and mechanically ready-to-operate. If no Parker drive is provided, attach your motor-gearbox combination according to the instructions of the respective supplier.

The technical data must be respected.



DANGER

Depending on the application, the operating company must provide for a suitable separating safety fence. The access to the motion area of the ballscrew and piston rod should be prevented during operation.

NOTICE

Before commissioning Safety instructions (see on page 14) must be read!

The sound may vary from cylinder to cylinder. It depends on the motor/gearbox, different drive options or on the production series due to different production lots. Different sounds do not provide any hint as to the lifetime of the cylinder



CAUTION

Depending on the operating conditions (rotation speed, load, etc.) increased surface temperature in the area of the drive may occur. When touching it during operation slight injuries from burning may occur. Don't touch the product during operation.

2.1 Mounting

In this chapter you can read about:

Mounting with mounting threads on the cylinder	24
Mounting with mounting accessories	24
Mounting notes	28



WARNING

Do only use the appropriate mounting parts offered in the Parker product catalog for the respective mounting methods. These mounting parts are especially designed for the ETH.



CAUTION

Please note:

The cylinder housing must be mounted without tension or contortion.

The cylinder housing must be precisely aligned to the load direction of motion.

Occurring lateral forces on the cylinder must be taken into consideration.

2.1.1. Mounting with mounting threads on the cylinder

The easiest and most economic method of mounting is using the available mounting threads on the cylinder body. Make sure that the mounting surface is level and that the cylinder is mounted without tension and contortion. This method of mounting is only possible, if the lower side of the mounting surface is accessible.

NOTICE

ETH100&125 does **not have** a mounting thread at the bottom of the cylinder.

Dimensions: please refer to ETH catalogue.

2.1.2. Mounting with mounting accessories

Mounting methods, Dimensions and Permissible lateral force: please refer to ETH catalogue.

2.1.2.1 Cylinder mounting with mounting plates or foot mounting brackets

If the underside of the mounting surface is not accessible, mounting plates or foot mounting brackets are available as accessories.

The rear mounting plate cannot be fixed with inline motor configuration.

If you fix the cylinder only at the rear end (e.g. also with a rear clevis) please respect the effective direction of the known forces. Critical are above all lateral forces in horizontal or vertical direction.

2.1.2.2 Screw tightening torques for the mounting of the ETH cylinder by the customer

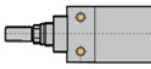

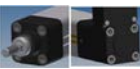



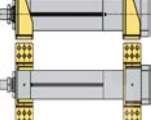
In order to simplify the calculation of the mounting screws for fixing the cylinder in your application, the following table gives an overview of the required screw quality resp. the required tightening torque (including additional boundary conditions). The data apply under the assumption that 100 % of the permissible axial force are required. Additionally take care that no other loads act on the screws.



WARNING

If these specifications are not adhered to, the screw joint might fail. The failure of screw joint may lead to severe injuries.

		ETH032			ETH050			ETH080			
		M05	M10	M16	M05	M10	M20	M05	M10	M32	
Option F*		M6 - 12.9			M8 - 12.9			M12 - 12.9			Screw
		15.5 (3)			47 (3)			160 (3)	160 (3)(4)	160 (3)	Screw tightening torque (1) [Nm]
		6			8			12			Minimum screw-in depth [mm]
Option F		M6 - A2-70			M8 - A2-70			M10 - A2-70			Screw
		7.5			16			34			Screw tightening torque (1) [Nm]
		9			9			15			Minimum screw-in depth [mm]
Option F		M6 - 8.8			M8 - 8.8			M10 - 8.8			Screw
		9			19			39			Screw tightening torque (1) [Nm]
		9			9			16			Minimum screw-in depth [mm]
Option E Option C		M6 - A2-70			M8 - A2-70			M10 - A2-70			Screw
		8			16			34			Screw tightening torque (1) [Nm]
		8			12			15			Minimum screw-in depth (2) [mm]
Option E Option C		M6 - 8.8			M8 - 8.8			M10 - 8.8			Screw
		8			16			34			Screw tightening torque (1) [Nm]
		8			12			15			Minimum screw-in depth (2) [mm]
Option H Option J Option N		M6 - A2-70			M8 - A2-70			M10 - A2-70			Screw
		7			16			31			Screw tightening torque (1) [Nm]
		8			11			14			Minimum screw-in depth (2) [mm]
Option H Option J Option N		M6 - 8.8			M8 - 8.8			M10 - 8.8			Screw
		7.5			18			35			Screw tightening torque (1) [Nm]
		9			12			15			Minimum screw-in depth (2) [mm]
Option B*		M6 - 12.9			M8 - 12.9			M12 - 12.9			Screw
		16.5			47			160 (3)	160 (3)(4)	160 (3)	Screw tightening torque (1) [Nm]
		12			12			25			Minimum screw-in depth (2) [mm]
Option G*		M6 - 12.9			M8 - 12.9			M12 - 12.9			Screw
		16.5			47			160 (3)	160 (3)(4)	160 (3)	Screw tightening torque (1) [Nm]
		12			12			25			Minimum screw-in depth (2) [mm]

		ETH100	ETH125	
		M10/M20	M10/M20	
Option F*		not possible	not possible	Screw
		not possible	not possible	Screw tightening torque (1) [Nm]
		not possible	not possible	Minimum screw-in depth [mm]
Option F		M16 – 8.8	M20 – 8.8	Screw
		80	180	Screw tightening torque (1) [Nm]
		15	25	Minimum screw-in depth [mm]
Option F		M16 – A2-70	M20 – A2-70	Screw
		80	180	Screw tightening torque (1) [Nm]
		15	25	Minimum screw-in depth [mm]
Option E Option C		M16 – 8.8	M20 – 8.8	Screw
		80	180	Screw tightening torque (1) [Nm]
		15	25	Minimum screw-in depth (2) [mm]
Option E Option C		M16 – A2-70	M20 – A2-70	Screw
		80	180	Screw tightening torque (1) [Nm]
		15	25	Minimum screw-in depth (2) [mm]
Option H Option J Option N		M16 – 8.8	M20 – 8.8	Screw
		80	180	Screw tightening torque (1) [Nm]
		15	25	Minimum screw-in depth (2) [mm]
Option H Option J Option N		M16 – A2-70	M20 – A2-70	Screw
		80	180	Screw tightening torque (1) [Nm]
		15	25	Minimum screw-in depth (2) [mm]
Option B*		M16 – 10.9	M20 – 8.8	Screw
		270	330	Screw tightening torque (1) [Nm]
		20	25	Minimum screw-in depth (2) [mm]
Option G*		M16 – 10.9	M20 – 8.8	Screw
		270	330	Screw tightening torque (1) [Nm]
		20	25	Minimum screw-in depth (2) [mm]

* For protection classes "B" and "C", we recommend for instance a GEOMET® coated screw (thin layer corrosion protection), which must be in strength class 12.9. For the ETH100&125, no GEOMET coated screw is required. (as the bracket is not available in stainless steel).

(1) torque controlled tightening

(2) when screwing into S235 JRG1 grade steel

(3) provide suitable washer under the screw head

(4) Safety factor against slipping is 1.6 in this case. Otherwise, at least 1.8

For all mounting options applies:

- ◆ Joint area must be dry and free of grease
- ◆ We recommend to secure the screws with a liquid bolt retaining compound (e.g. Loctite 242)

WARNING

With mounting option F, H and J don't mount the cylinder horizontally on one side as in this case the bolted connections are improperly high burdened due to pitching torques and cross forces. In this case always support the cylinder!

With ETH032-080 the mounting thread F* on the underside of the cylinder can be used as support.

With ETH100&125 the transporting thread (see on page 18) can be used as support. For this a screw M12x1.25, quality 8.8 must be used. Furthermore a minimum screw-in depth of m15 mm must be considered. Tighten screw with tightening torque 30 Nm.

2.1.2.3 Accessory mounting - bearing block

When mounting the bearing blocks, customers should respect the following tightening torques.

ETH032		ETH050		ETH080	
					
0112.039	0122.039	0132.039	Part number		
M8-12.9	M10-12.9	M12-12.9	Screw		
37	66	83	Screw tightening torque (1) [Nm]		
15	21	27	Minimum screw-in depth (2) [mm]		
ETH100			ETH125		
					
0142.039		0152.039		Part number	
M16 – 8.8		M20 – 8.8		Screw	
200		320		Screw tightening torque (1) [Nm]	
20		25		Minimum screw-in depth (2) [mm]	

(1) torque controlled tightening

(2) when screwing into S235 JRG1 grade steel

Boundary conditions:

- ◆ Provide suitable washer under the screw head
- ◆ Joint area must be dry and free of grease
- ◆ We recommend to secure the screws with a liquid bolt retaining compound (e.g. Loctite 242)

2.1.2.4 Mounting of force sensors

NOTICE

For mounting the force sensor please observe the attached operating instructions respective for the force sensors!

DANGER

In ETH ATEX cylinders only certified force sensors must be used:

- ◆ Area 1 (Category 2G)
- ◆ Explosive range IIB resp. IIC.
- ◆ Temperature class 4.

For the ETH ATEX cylinder only use the force sensors of the catalogue which are ATEX certified.

2.1.2.5 Mounting - Fixing of accessories - Rear clevis with force sensor

Customer's screw tightening torques for the force sensor with rear clevis.

ETH	Pitch	Part number	Screw A2-70	Screw tightening torque (1) [Nm]	Minimum screw-in depth (2) [mm]	Deflection angle α [°]
032	M05	0112.034-11	M6x20	8.1	9	3.5
	M10	0112.034-11				
	M16	-				
050	M05	0122.034-11	M8x20	20	12	4
	M10	0122.034-12				
	M20	-				
080	M05	0132.034-11	M10x25	38.5	15	4
	M10	0132.034-12				
	M32	-				
100	M10/M20	0142.034-11	M16x50	130	14	4
125	M10/M20	0152.034-11	M20x60	270	18	4

(1) torque controlled tightening

(2) when screwing into S235 JRG1 grade steel

Boundary conditions:

- ◆ Provide suitable washer under the screw head
- ◆ Joint area must be dry and free of grease
- ◆ We recommend to secure the screws with a liquid bolt retaining compound (e.g. Loctite 242)

2.1.3. Mounting notes

2.1.3.1 Side Load

Please observe that with ATEX certified ETH cylinders no lateral forces are being applied to the cylinder rod.

Use suitable guiding units, e.g. the rod guiding option R (see in the catalog section following the mounting instructions) or external guiding units.

2.1.3.2 Mounting of the payload

When mounting the payload, please make sure that no torque is applied to the thrust rod. Use the flat on the thrust rod to apply counter pressure, see indication "SW" "Cylinder Rod Version": please refer to ETH catalogue.

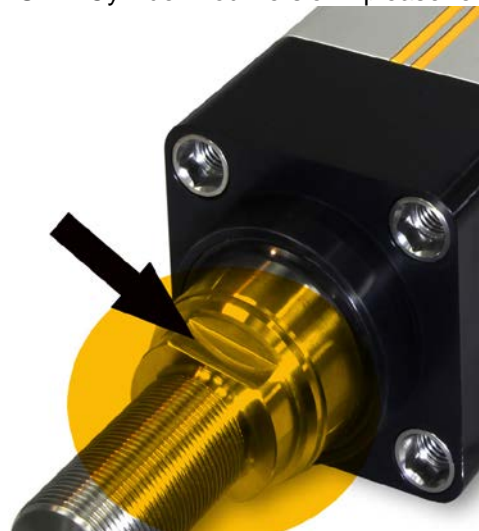


Figure 7: Mounting of the payload

⚠ CAUTION

When fixing the load on the thrust rod end, do always apply counter pressure on the respective flat, KV (SW) with an appropriate tool!
Otherwise, the internal anti-rotation protection might be damaged.
KV (SW) Dimensions: please refer to ETH catalogue.

Connect the payload always with the end of the thrust rod so that occurring lateral forces are minimized. If the payload is separately guided, even minimal deviations between this guiding system and the cylinder length axis can generate high lateral forces and reduce the service life of the electro cylinder considerably.

The possibilities to avoid this problem:

- ◆ Use a flexible coupling at the thrust rod end.
This coupling can compensate up to 3 mm axial offset and up to 10° angular offset.
- ◆ Use other thrust rod connection elements (accessories), which are able to compensate certain deviations such as rod clevis or spherical rod eye
- ◆ Use a flexible cylinder fixing device (accessories) such as rear clevis or center trunnion.

⚠ WARNING

Do only use the rod ends supplied by Parker.
Only use the nut delivered with the rod end option M as counter screw.
The connection provided from the customer is always screwed in the thread of option M.

"Cylinder Rod Version": please refer to ETH catalogue.

2.2 Electric installation

2.2.1. Direction of the motor during extension of the cylinder

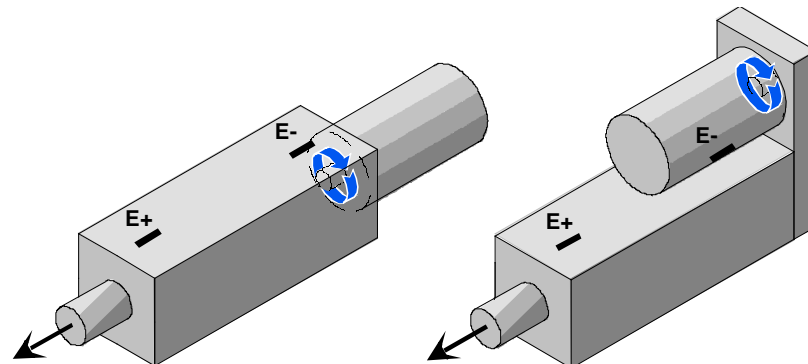


Figure 8: Direction of the motor during extension of the cylinder

NOTICE

With parallel drive (please refer to Figure 8: Direction of the motor during extension of the cylinder) the turning direction of the motor is reversed in comparison to the direct drive configuration!

2.2.2. Sensors

All electro cylinders feature a permanent magnet in the spindle nut. It activates the sensors which are mounted in the special mounting grooves on one side of the cylinder.

Sensors and limit switches: see ETH catalogue (solutions.parker.com/ETH_support).

DANGER

In ETH ATEX cylinders only certified sensors must be used:

- ◆ Area 1 (Category 2G)
- ◆ Explosive range IIB resp. IIC.
- ◆ Temperature class 4.

For the ETH ATEX cylinder only use the NAMUR limit switches of the catalogue which are ATEX certified.

2.2.2.1 Sensor mounting

- ◆ Sensors can be inserted into all grooves on the ETH electro cylinder.
- ◆ If no sensors are mounted by the manufacturer (on customer request), please remove the groove protection covers. Use a sharp screwdriver to lever the ends of the covers off the grooves. Pull the entire covers out manually.
- ◆ Install the sensors. The sensors can be inserted into the grooves from above. The cable ends should lead into the motor direction. Push the sensors to their approximate positions in the grooves of the cylinder body. Tighten the fixing screws on the limit switches slightly and lead the cable along the profile groove.
- ◆ If sensors are used as end limits (see on page 30), do set them.
- ◆ You can use the formerly removed protective covers in order to fix the sensor cables. Please cut the covers to the desired length. A pair of scissors may be used. Please cut off an additional 5 to 10 mm, where the cables are to be lead out of the profile (please refer to Figure 9: Grooves for sensors).
- ◆ Insert the cables into the grooves of the plastic covers and push the cover into the groove together with the cable.
- ◆ Please observe the Operating Instructions of the manufacturer when commissioning the sensors.
- ◆ Connect the sensors to the controller.
Sensors and limit switches: see ETH catalogue (solutions.parker.com/ETH_support).

Sensor mounting example: 2 end limits with machine zero



Figure 9: Grooves for sensors



Figure 10: Grooves for sensors, details

2.2.3. Setting the end limits

WARNING

The steps described below can be best executed with energized drive. Therefore, they may only be performed by trained and authorized personnel.

Do only travel at very low speed (<10 mm/s) and reduce the drive torque to a minimum.

Ensure that there are no persons in the hazardous area.

The setting of the end limits depends on the application.

NOTICE

No sensor is to be mounted in the area of the central lubrication port (option).

The following activation positions at the mechanical end limits result from the initiators recommended in the catalog. The given positions "A" and "B" are estimated recommendations and may vary. We therefore recommend to adjust the final sensor position during the initial start up.

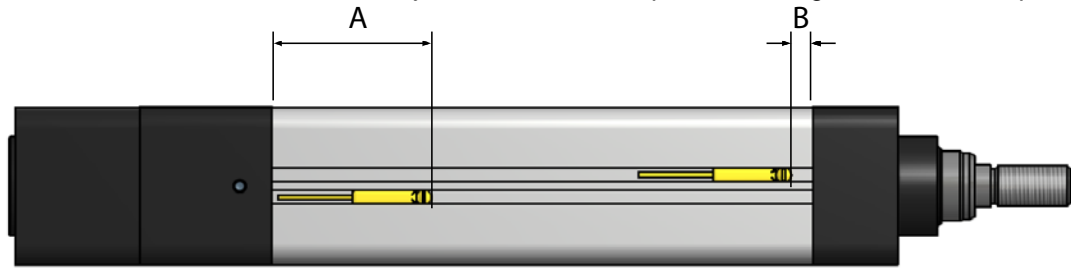


Figure 11: Position of sensors at the mechanical limits

Position of initiators at the mechanical limits

ETH	Pitch	A [mm]	B [mm]
032	M05	68	0
	M10	77	0
	M16	81	0
050	M05	71	0
	M10	77	0
	M20	89	0
080	M05	85	0
	M10	103	0
	M32	133	0
100	M10	162	0
	M20	200	0
125	M10	186	6
	M20	274	6

⚠ CAUTION

Please add the respective safety travels to the mentioned values! Stroke, Usable Stroke and Safety Travel: see ETH catalogue (solutions.parker.com/ETH_support).

Sensors and limit switches: see ETH catalogue (solutions.parker.com/ETH_support).

Adjusting the machine reference initiator

The correct position for the home switch (machine zero switch) depends on the application.

It is recommended to set the machine zero at or near the end of the travel. This saves time, as it minimizes the chance that the machine zero is searched for in the wrong direction. In some cases it is possible to use one of the limit switches as machine zero. This method provides however a reduced precision, as the resulting position can normally not be and-linked with the encoder index pulse.

2.3 Motor/ gear assembly

Notes on motor wiring

In order to adhere to the EMC directive, it is necessary to mount the motor if ever possible unchanged. If you require a longer cable, the entire line should be replaced with the same or a similar cable.

If you mount a connector on the new cable, please make sure that the 360° motor cable shielding is maintained and that there is no connection to earth via the connector housing.

DANGER

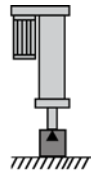
Improper wiring may lead to severe injuries or death.

A wiring must always be made from a skilled electrician.

The motor must be grounded with a separate PE protective lead (green/yellow, cross-section at least 2.5 mm²).

This cable must be connected to the available motor-ground connector or - if there is non available - with a mounting screw. In the latter case, the coloring under the head of the screw must be removed.

WARNING



The internal ballscrew is not self-locking!

Always take care, especially in vertical position of the ETH cylinder that the piston rod must be safeguarded!

In case of non respect severe injuries may occur.

DANGER

Grounding instructions

Electrostatic charge of the cylinder may lead to sparks and cause danger of explosion in explosion protection zones. Avoid electrostatic charge.

The cylinder must be grounded and be a part of the grounding concept. Ground cylinder via the motor and the cylinder mounting (machine frame).

If the motor / gear assembly is provided by the customer please make sure that there is a conductive connection (transition resistance < 1 MOhm) between cylinder and motor housing.

In this chapter you can read about:

Motor / gear assembly with inline motor configuration.....	33
Motor / gearbox mounting with parallel motor configuration	35
IP65 motor mount	42

2.3.1. Motor / gear assembly with inline motor configuration

ETH032 ... ETH080

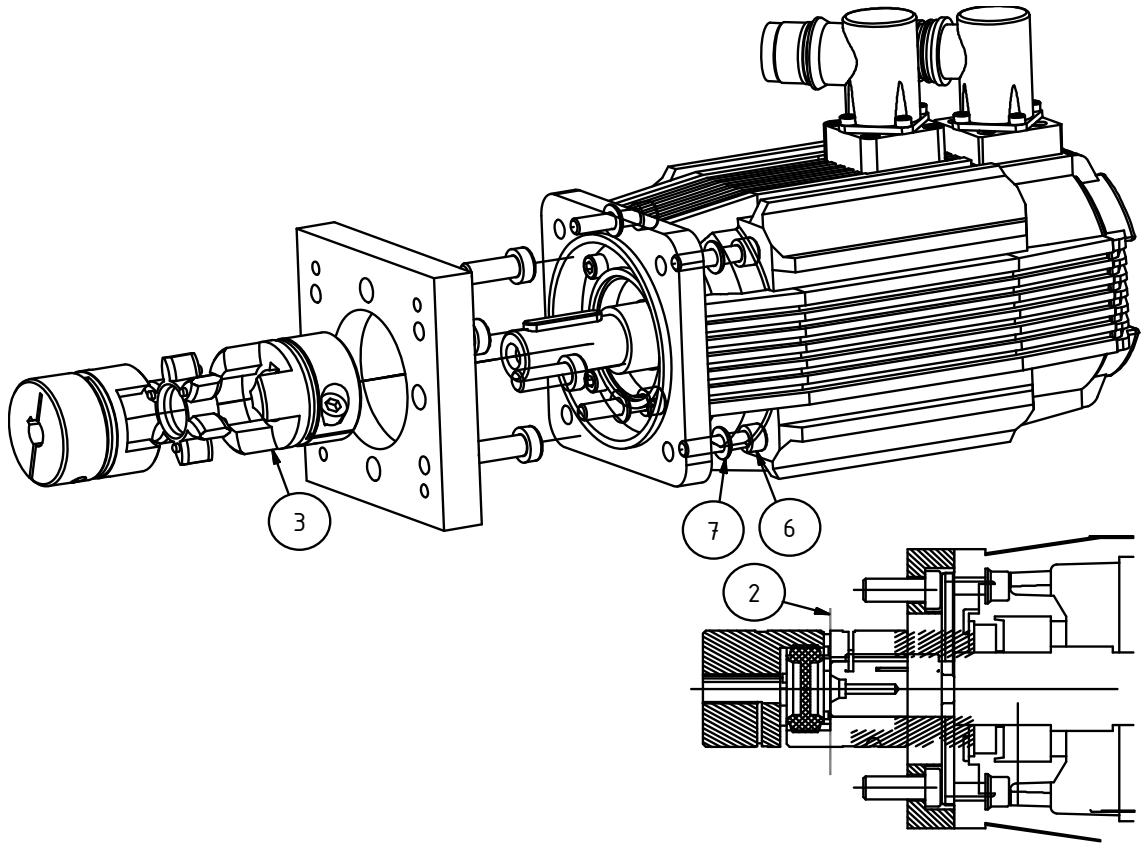


Figure 12: Motor/ gear assembly ETH032 ... ETH080 inline

ETH100&125

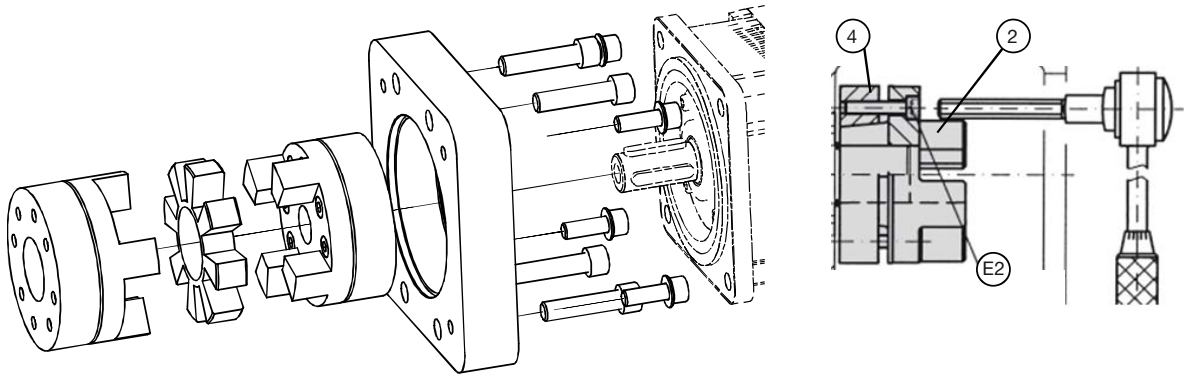


Figure 13: Motor/ gear assembly ETH100 ... ETH125 inline

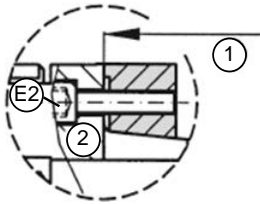


Figure 14: Coupling dead stop

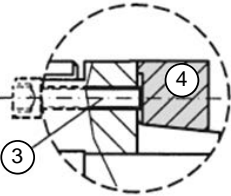


Figure 15: Coupling clamp collar

Motor / gearbox dismantling

- ◆ Remove motor connector.
- ◆ If you use a gearbox, we recommend to dismantle the motor from the gearbox first for reasons of weight.
- ◆ Loosen screws (please refer to Figure 12: Motor/ gear assembly ETH032 ... ETH080 inline).
- ◆ Remove motor / gearbox including mounted coupling half with caution.
- ◆ Loosen clamping screw(s):
 - ◆ ETH032, ETH050, ETH080: loosen radial clamping screw of the coupling half.
 - ◆ ETH100&125: loosen all clamping screws (please refer to Figure 14: Coupling dead stop Pos.E2) equally (approx. 3 mm) and screw in two of the screws in the open threaded holes. Now tighten screws evenly until the clamp collar (please refer to Figure 15: Coupling clamp collar Pos. 4) is released from the coupling hub (please refer to Figure 16: Gap coupling dead stop Pos. 2) and can be freely moved.
- ◆ Remove coupling half from the motor / gear shaft.

Motor / gear assembly

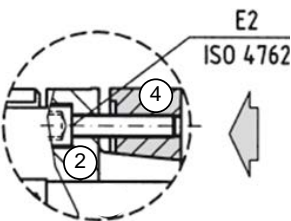


Figure 16: Gap coupling dead stop

- ◆ Please make sure that the clamping screw(s) of the coupling half is/are released and that the clamp collar (please refer to Figure 14: Coupling dead stop Pos. 4) and the coupling hub ((please refer to Figure 14: Coupling dead stop Pos. 2) are pulled apart.
- ◆ Slip the coupling half onto the motor / gearbox shaft and align to be flush with the shaft.

ATTENTION!

Shafts and bores of the hubs must be free of burrs, dirt and grease.

- ◆ ETH032, ETH050, ETH080: tighten radial clamping screw with tightening torque (see table).
- ◆ ETH100&125: Tighten the fixing screws (please refer to Figure 16: Gap coupling dead stop Pos. E2) crosswise with a torque wrench in 3 turns with 1/3, 2/3 and full tightening torque (please refer to Table 1: Tightening torques for motor/gearbox assembly) until the final tightening torque is attained and the clamp collar touches the coupling half. The dead stop (please refer to Figure 17: Coupling dead stop Pos. 1) on the coupling half (please refer to Figure 17: Coupling dead stop Pos. 2) prevents too high pretension of the conical clamp collar and ensures high rotational accuracy.

- ◆ Place spider element of the coupling

Joining with the spider element requires an axial mounting force. This force can be reduced by cleaning and lightly greasing the spider element and the contact surfaces.

ATTENTION!

Oils and greases containing molybdenum disulfide or other high pressure additives as well as sliding grease paste.

- ◆ Place motor/gearbox on the mounted flange, so that the coupling halves intermesh.

⚠ CAUTION

Secure motor / gearbox against dropping.

Eye bolts must be used with suitable lifting devices for motors and gearboxes with eyes bolts.

- ◆ Equip screw with washer and tighten (please refer to Figure 12: Motor/ gear assembly ETH032 ... ETH080 inline Pos.6 , Pos. 7).

Tightening torques for motor/gear assembly (ETH)*

ETH	Coupling size/model	Tightening torque
032	GS12 (outer diameter: 25 mm)	1.4 Nm
050	GS14 (Outer diameter: 30 mm)	1.4 Nm
080	GS19 (Outer diameter: 40 mm)	10.5 Nm
100	EK6-300, screws ISO4762 M6	12 Nm
125	EK6-450, screws ISO4762 M8	35 Nm

Table 1: Tightening torques for motor/gearbox assembly

* All clamping screws of the coupling halves must be secured (medium strength) by a screw lock.

2.3.2. Motor / gearbox mounting with parallel motor configuration

In this chapter you can read about:

Parallel mounting ETH032 ... ETH080 Standard35
 Parallel mounting ETH032 ... ETH080 with Ex - Motor37
 Parallel mounting ETH100 & ETH12539
 Re-apply toothed belt pre-tension (reinsert the same toothed belt)41
 Resetting the toothed belt pre-tension (new toothed belt)42

2.3.2.1 Parallel mounting ETH032 ... ETH080 Standard

ETH032 ... ETH080

(valid for all mounting options)

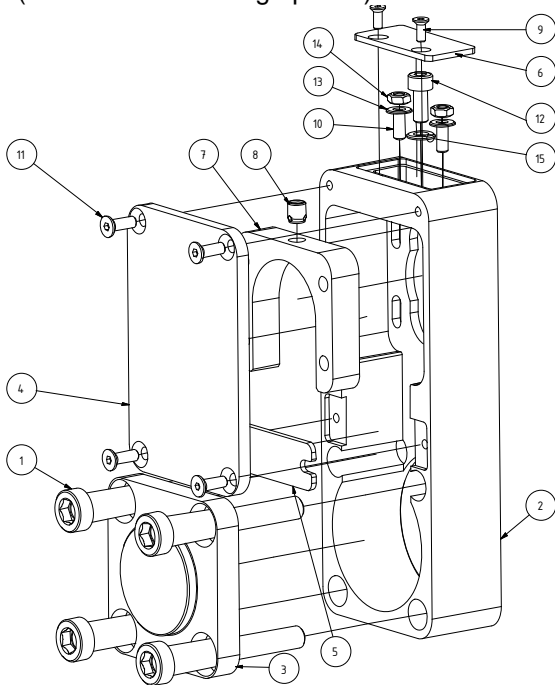


Figure 18: Parallel housing

ETH032 ... ETH080

(not valid for mounting Parker EX motors)

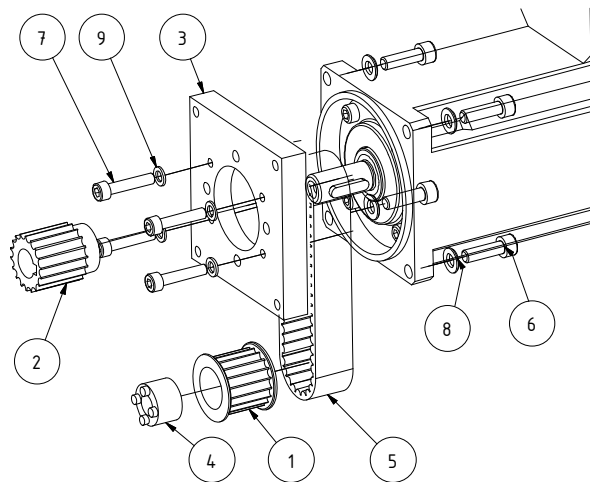


Figure 19: Parallel drive

Motor / gearbox dismantling (ETH032 ... ETH080) (valid for all mounting options)

- ◆ Remove connectors from motor.
- ◆ Dismantle lid (please refer to Figure 18: Parallel housing Pos.6) and screws (please refer to Figure 18: Parallel housing Pos. 9) .
- ◆ Dismantle lid (please refer to Figure 18: Parallel housing Pos.4) and screws (please refer to Figure 18: Parallel housing Pos. 11) .

ATTENTION! Keep all screws and lids for later mounting.

- ◆ Release toothed belt tension:
 - ◆ Slightly loosen 4 screws (please refer to Figure 19: Parallel drive Pos.7), by 1 to 2 turns (please refer to Figure 20: Release toothed belt tension).
 - ACHTUNG!** Do not remove the screws entirely!
 - ◆ Loosen central toothed belt screw (please refer to Figure 18: Parallel housing Pos.12).
 - The drive unit must lower slightly when the tensioning screw is loosened.
 - ◆ Loosen tightening screw (please refer to Figure 18: Parallel housing Pos.12) until the drive unit is not lowered any further.
- ◆ Remove 4 screws completely (please refer to Figure 19: Parallel drive Pos. 7). First at the bottom, then at the top.

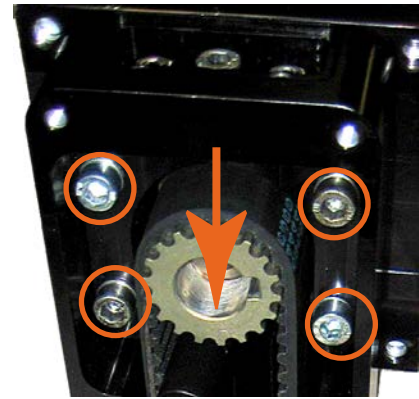


Figure 20: Release toothed belt tension

⚠ WARNING

The internal ballscrew is not self-locking! Always take care, especially in vertical position of the ETH cylinder that the piston rod must be safeguarded!

⚠ CAUTION

Make sure not to insert your fingers between motor / gearbox and electro cylinder!
We recommend to place a support pad between motor and cylinder profile.

- ◆ Remove drive unit with mounted toothed pulley from the parallel housing with caution.
 - ATTENTION!** Make sure that the toothed belt is not stuck in the parallel housing.
- ◆ Dismantle motor / gearbox flange (please refer to Figure 19: Parallel drive Pos.3) by loosening the screws (please refer to Figure 19: Parallel drive Pos.6).
- ◆ Measure and note depth "A" from toothed pulley to motor / gearbox shaft before dismantling the toothed pulley (please refer to Figure 21: Depth gauge A).
- ◆ Remove threaded pin(s) from the toothed pulley.
- ◆ Pull off toothed pulley with the aid of a pull-off tool.

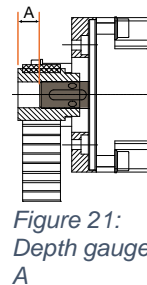


Figure 21:
Depth gauge
A

Motor / gearbox mounting (ETH032 ... ETH080) (not valid for mounting Parker EX motors)

- ◆ Fit toothed pulley and set dimension "A".
Dimension "A" is provided by Parker. If the drive was exchanged, please set the dimension "A" noted before.
- ◆ Screw in the toothed pulley threaded pin(s) and secure (medium strength) by screw lock.
- ◆ Mount motor / gearbox flange (please refer to Figure 19: Parallel drive Pos.3) with the screws (please refer to Figure 19: Parallel drive Pos.6 & Pos.8).
- ◆ Insert drive unit with mounted toothed pulley into the parallel housing with caution. We recommend to place a support pad between motor and cylinder profile.
 - ATTENTION!** Please make sure that the toothed belt is correctly geared in the pulley tothing.
- ◆ Screw in 4 screws (please refer to Figure 19: Parallel drive Pos.7) until the motor flange fits. Do not yet tighten.

⚠ CAUTION

Make sure not to insert your fingers between motor / gearbox and electro cylinder!
We recommend to place a support pad between motor and cylinder profile.

- ◆ Setting the toothed belt pretension:
 - ◆ For the same toothed belt (see on page 41).
 - ◆ For a new toothed belt (see on page 42)
- ◆ Mount lid (please refer to Figure 18: Parallel housing Pos.6) with screws (please refer to Figure 18: Parallel housing Pos.9).
- ◆ Mount lid (please refer to Figure 18: Parallel housing Pos.4) with screws (please refer to Figure 18: Parallel housing Pos.11).

2.3.2.2 Parallel mounting ETH032 ... ETH080 with Ex - Motor

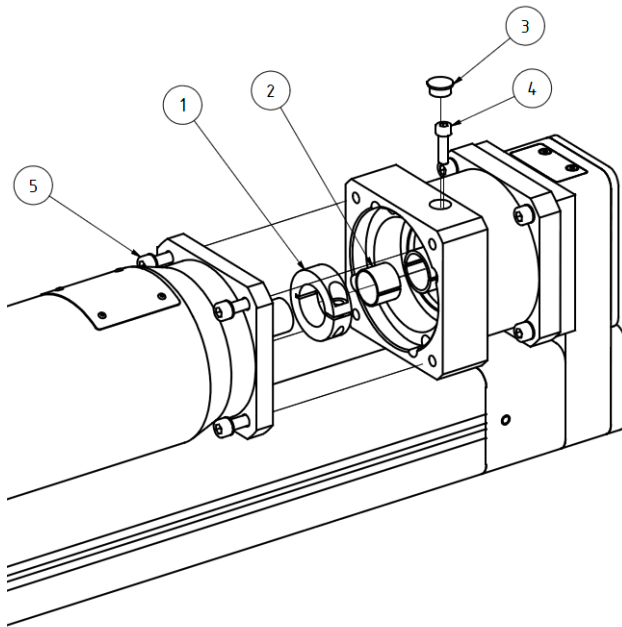


Figure 22: Disassembly of a EX motor

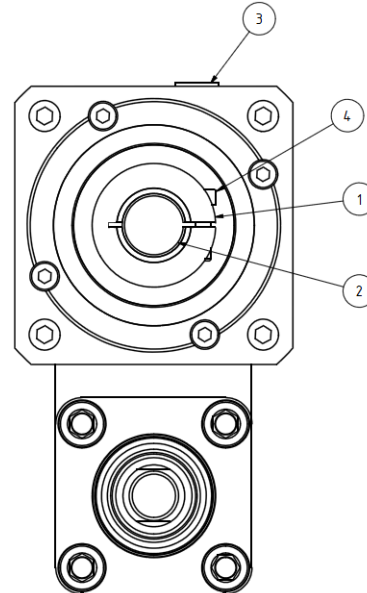


Figure 23: Flange view:
Disassembly of a EX motor

Dismantle EX-motor (ETH032... ETH080)

The ETH032, 050 and 080 Electro cylinders for parallel mounting of the EX motor (ETH032 motor flange option K1B, ETH050 motor flange option K1D, ETH080 motor flange option K1J) are furnished with tensioned belt. When dismantling the motor, the belt must NOT be detensioned.

- ◆ Remove connectors from motor
- ◆ Remove cover plate (please refer to Figure 22: Disassembly of a EX motor Pos. 3) and loosen screws (please refer to Figure 22: Disassembly of a EX motor Pos. 4)

WARNING

The internal ballscrew is not self-locking!

Always take care, especially in vertical position of the ETH cylinder that the piston rod must be safeguarded!

Secure motor / gearbox against dropping.

Eye bolts must be used with suitable lifting devices for motors and gearboxes with eyes bolts.

- ◆ Loosen motor fixing screws (please refer to Figure 22: Disassembly of a EX motor Pos. 5)
- ◆ Remove motor from the hollow shaft. ATTENTION! Secure motor against dropping!

Mounting the EX-motor (ETH032... ETH080)

The ETH032, 050 and 080 Electro cylinders for parallel mounting of the EX motor (ETH032 motor flange option K1B, ETH050 motor flange option K1D, ETH080 motor flange option K1J) are furnished with tensioned belt. When dismantling the motor, the belt must NOT be detensioned.

- ◆ Clean contact surfaces of motor, motor shaft, motor flange, hollow shaft bore, clamping ring (please refer to Figure 22: Disassembly of a EX motor Pos. 1)) and spacer sleeve (please refer to Figure 22: Disassembly of a EX motor Pos. 2).
- ◆ Shaft, bore, clamping ring (please refer to Figure 22: Disassembly of a EX motor Pos. 1) and spacer sleeve (please refer to Figure 22: Disassembly of a EX motor Pos. 2) must be free from burrs, dirt and grease.
- ◆ Push the spacer sleeve (please refer to Figure 22: Disassembly of a EX motor Pos. 2) in the hollow shaft bore up to its stop.
- ◆ Put the clamping ring (please refer to Figure 22: Disassembly of a EX motor Pos. 1) onto the hollow shaft and shift it up to the stop.
- ◆ Align the slot of the clamping ring (please refer to Figure 22: Disassembly of a EX motor Pos. 1) and the spacer sleeve (please refer to Figure 23: Flange view: Disassembly of a EX motor Pos. 2) to the slot of the hollow shaft.
- ◆ Align the hollow shaft so that the clamping screw (please refer to Figure 23: Flange view: Disassembly of a EX motor Pos. 4) stands over the opening of the flange.
- ◆ Place cylinder upright, with the hollow shaft bore on top.
- ◆ Push the motor vertically, with the motor shaft down, into the hollow shaft up to the stop. Please take care that the motor connectors are on the right side.

NOTICE

For the next steps, leave ETH cylinder and motor in this position.

- ◆ Insert and tighten motor fixing screws slightly (please refer to Figure 22: Disassembly of a EX motor Pos. 5).
- ◆ Insert and tighten clamping screws slightly (please refer to Figure 22: Disassembly of a EX motor Pos. 4).
- ◆ Tighten motor fixing screws.
- ◆ Tighten clamping screw (please refer to Figure 22: Disassembly of a EX motor Pos. 4) with the respective tightening torque.
- ◆ Close the opening in the motor flange with the lid (please refer to Figure 22: Disassembly of a EX motor Pos 3)

Tightening torques Clamping screw:

	Clamping screw	Tightening torque
ETH032	M4x16	3.5 Nm
ETH050	M5x20	7.2 Nm
ETH080	M6x26	11.8 Nm

2.3.2.3 Parallel mounting ETH100 & ETH125

ETH100&125

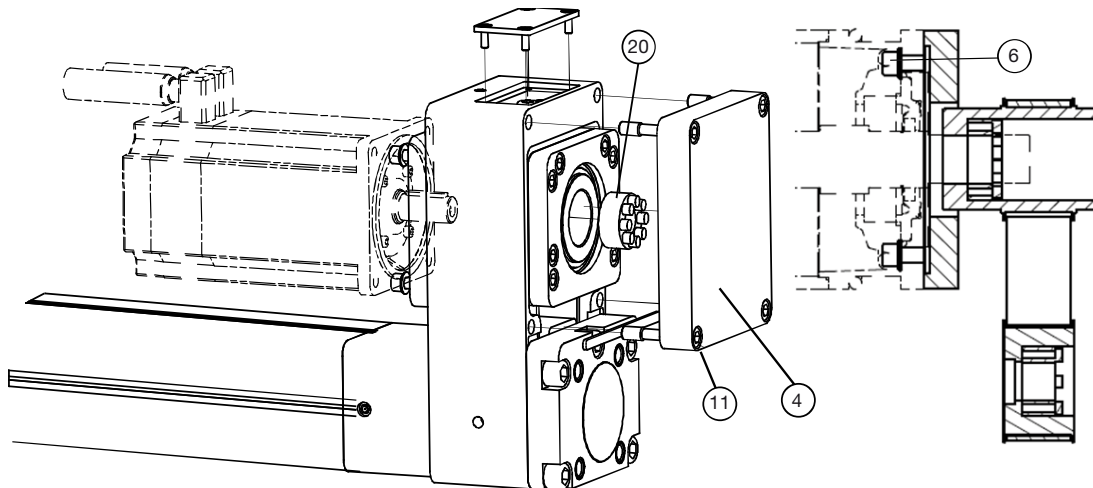


Figure 24: ETH1xx: Motor/ gear assembly parallel

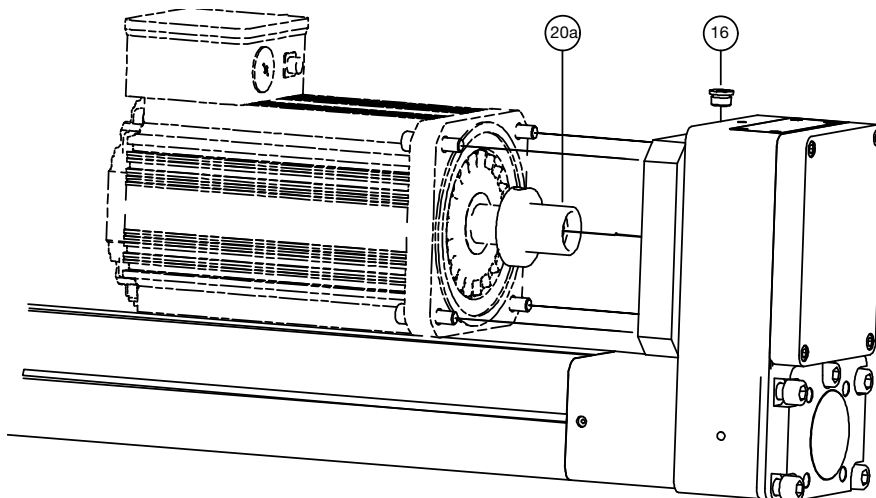


Figure 25: ETH1xx: Motor/ gear assembly parallel with K1M option

Motor / gearbox mounting (ETH100&125)

The ETH100&125 electro cylinder is furnished with tensioned belt. When dismantling the gearbox / motor, the belt must NOT be detensioned.

- ◆ Remove connectors from motor
- ◆ Dismantle lid (please refer to Figure 24: ETH1xx: Motor/ gear assembly parallel Pos.4) and screws (please refer to Figure 24: ETH1xx: Motor/ gear assembly parallel Pos.11).
- ◆ Loosen all tensioning screws of the clamping bushing (please refer to Figure 24: ETH1xx: Motor/ gear assembly parallel Pos.20) (approx. 3 mm).
with K1M drive option: loosen tensioning element (please refer to Figure 25: ETH1xx: Motor/ gear assembly parallel with K1M option Pos.20a) via flange sided mounting hole. For this, first loosen the lock screw (please refer to Figure 25: ETH1xx: Motor/ gear assembly parallel with K1M option Pos. 16) and then the adjusting screw of the tensioning element.

⚠ WARNING

The internal ballscrew is not self-locking!
 Always take care, especially in vertical position of the ETH cylinder that the piston rod must be safeguarded!
 Secure motor / gearbox against dropping.
 Eye bolts must be used with suitable lifting devices for motors and gearboxes with eyes bolts.

- ◆ Loosen motor fixing screws (please refer to Figure 24: ETH1xx: Motor/ gear assembly parallelPos.6).
- ◆ The clamping unit should (after loosening the tensioning screws) be loose. If not, knock slightly on the loosened screws with a hammer in order to push back the rear taper ring (not with K1M drive option).
- ◆ Remove motor / gearbox from the hollow shaft.

ATTENTION! Secure motor/gearbox against dropping!

- ◆ Remove clamping unit (Figure 3 Pos.20, please refer to Figure 24: ETH1xx: Motor/ gear assembly parallelPos.20a).

Motor / gearbox mounting (ETH100&125)

The ETH100&125 electro cylinder is furnished with tensioned belt.
 When mounting the gearbox / motor, the belt must NOT be detensioned or retensioned.

- ◆ Dismantle lid (please refer to Figure 24: ETH1xx: Motor/ gear assembly parallelPos.4) and screws (please refer to Figure 24: ETH1xx: Motor/ gear assembly parallelPos.11).
- ◆ Clean contact surfaces of motor / gearbox shaft and hollow shaft bore.
 Shaft and bores must be free of burrs, dirt and grease.
- ◆ Insert motor / gearbox into hollow shaft.
 with K1M drive option: insert tensioning element ((please refer to Figure 25: ETH1xx: Motor/ gear assembly parallel with K1M optionPos.20) in the hollow shaft on the motor side and push up to the exterior stop. Adjust tensioning element so that the adjusting screw can be tightened via flange sided mounting holes.

⚠ WARNING

The internal ballscrew is not self-locking!
 Always take care, especially in vertical position of the ETH cylinder that the piston rod must be safeguarded!
 Secure motor / gearbox against dropping.
 Eye bolts must be used with suitable lifting devices for motors and gearboxes with eyes bolts.

- ◆ Insert and tighten motor fixing screws slightly.
- ◆ Insert clamping bushing (please refer to Figure 24: ETH1xx: Motor/ gear assembly parallel Pos.20) into hollow shaft and push up to the inner stop (not with K1M drive option).
- ◆ Tighten screws crosswise until the inner ring touches the shaft and the outer ring touches the hub (not with K1M drive option). Secure screws (medium strength) with locking compound.
- ◆ Tighten motor fixing screws.
- ◆ Afterwards tighten tensioning screws of the clamping bushing (please refer to Figure 24: ETH1xx: Motor/ gear assembly parallel Pos.20) (please refer to Figure 25: ETH1xx: Motor/ gear assembly parallel with K1M optionPos.20a) crosswise step by step (in three turns with 1/3, 2/3 and full tightening torque), until the screw tightening torque (please refer to Table 2: Tightening torques for motor flange / clamping sleeve) is reached.
 You can apply counter pressure with the aid of a hook wrench, which can be inserted into the bores on the toothed pulley.

- ◆ Mount lid (please refer to Figure 24: ETH1xx: Motor/ gear assembly parallel Pos.4) and screws (please refer to Figure 24: ETH1xx: Motor/ gear assembly parallel Pos.11).

Tightening torque of motor flange/clamping bushing

	Motor flange option	Screw tightening torques Clamping bushing (Pos. 20)
ETH100	K1H, K1J, K1K, K1L, P1C, P1D, P1J	Hexagon socket SW: 5 mm M6, 15 Nm
ETH125	K1L, P1C, P1D, P1K	Hexagon socket SW: 5 mm M6, 15 Nm
	K1M	Hexagon socket SW: 8 mm M16, 21 Nm

Table 2: Tightening torques for motor flange / clamping sleeve

2.3.2.4 Re-apply toothed belt pre-tension (reinsert the same toothed belt)

ETH032 ... ETH080

If the motor / gearbox is exchanged and the toothed belt is still in good condition, the pre-tension can be reset without measuring device.

ETH100&125

The ETH100&125 electro cylinder is furnished with tensioned belt. When dismantling the gearbox / motor, the belt must **NOT** be detensioned. Therefore, this chapter is usually not valid for the ETH100&125.

- ◆ First check, if the belt toothing is geared into the upper and lower toothed pulley.
- ◆ The screws (please refer to Figure 26: Toothed belt tension Pos.7) must be inserted (but not tightened), so that the drive unit can be lifted.
- ◆ Tighten central toothed belt tensioning screw (please refer to Figure 31: Parallel housing Pos.12).
The drive unit must lift when tightening the screw. Lift the unit until it touches the 2 internal stops (please refer to Figure 31: Parallel housing Pos. 10). This is made by tightening the central tightening screw.

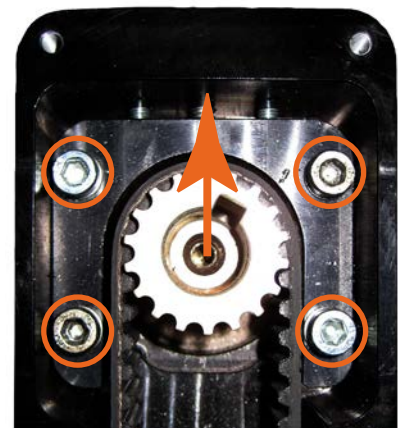


Figure 26: Toothed belt tension

- ◆ Tighten 4 screws (please refer to Figure 32: Parallel drive Pos.7) with the given tightening torque (please refer to Table 3: Screw tightening torques belt tensioning option).
- ◆ Refix both lids (please refer to Figure 18: Parallel housing Pos.4 & 6) with the respective screws (please refer to Figure 18: Parallel housing Pos.11 & 9).

Screw tightening torques belt tensioning option

ETH032	ETH050	ETH080	ETH100	ETH125
3 Nm	5 Nm	20 Nm	70 Nm	115 Nm

Table 3: Screw tightening torques belt tensioning option

2.3.2.5 Resetting the toothed belt pre-tension (new toothed belt)

For a new toothed belt, we recommend to re-set the toothed belt pretension:

- ◆ Check, if the belt toothing is geared into the upper and lower toothed pulley.
- ◆ The screws (please refer to Figure 32: Parallel drive Pos.7) must be inserted (but not tightened), so that the drive unit can be lifted.
- ◆ Loosen both lock nuts (please refer to Figure 31: Parallel housing Pos.14) (do not remove entirely).
- ◆ Unscrew both threaded pins (please refer to Figure 31: Parallel housing Pos.10) until they are almost level with the inside of the parallel housing.
- ◆ Tighten central toothed belt tensioning screw (please refer to Figure 31: Parallel housing Pos.12) until the toothed belt is noticeably pretensioned.
- ◆ Measure toothed belt tension with a suitable device. We recommend: Gates: „Sonic 507c" or Hilger&Kern: „Trummeter"
- ◆ Tighten screw lightly and repeat measurement.
- ◆ Repeat this procedure until the required toothed belt pretension (see on page 42, see on page 52) is set.

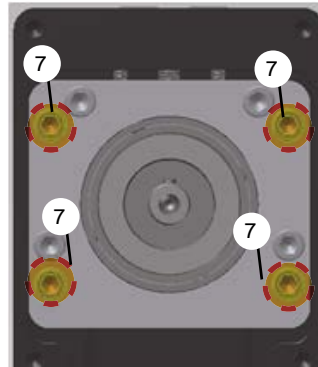


Figure 27: Toothed belt tension screws ETH1xx

⚠ CAUTION

Only a correctly set toothed belt pretension ensures fail-safe operation of the cylinder.

- ◆ Screw in both threaded pins (please refer to Figure 31: Parallel housing Pos.10) until they touch the inner bracket. Tighten pins slightly.
- ◆ Retighten both lock nuts (please refer to Figure 31: Parallel housing Pos.14).
- ◆ Tighten 4 screws (please refer to Figure 32: Parallel drive Pos.7) with the given tightening torque (please refer to Table 4: Screw tightening torques belt tensioning option).
- ◆ Refix both lids (please refer to Figure 31: Parallel housing Pos.4 & 6) with the respective screws (please refer to Figure 31: Parallel housing Pos.11 & 9).

Screw tightening torques belt tensioning option

ETH032	ETH050	ETH080	ETH100	ETH125
3 Nm	5 Nm	20 Nm	70 Nm	115 Nm

Table 4: Screw tightening torques belt tensioning option

2.3.3. IP65 motor mount

For the IP65 option, we generally recommend to have the motor mounted by Parker. If the motor is not mounted by Parker, please respect the following instructions to achieve the best possible sealing effect.

2.3.3.1 Motor mounting for IP65 inline

The cylinder is furnished with mounted coupling housing and motor flange. Before mounting the motor to the flange, it must be sealed as follows.

- ◆ Apply silicone sealing compound to the motor flange pilot (e.g. Sista Silicone F109 Universal).
- ◆ Screw motor to motor flange (see chapter “Motor and gear assembly” (see on page 32)).
- ◆ Note the additional mounting steps (see chapter “Motor and gear assembly” (see on page 32)).

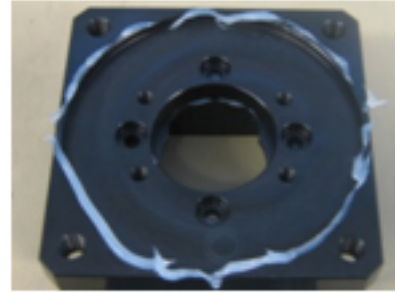


Figure 28: Flange prepared for IP65

2.3.3.2 IP65 motor mount parallel

The cylinder is furnished with mounted parallel housing. The housing as well as the motor flange which is fixed to the housing, must be sealed.

- ◆ Apply silicone sealing compound to the motor flange pilot (e.g. Sista Silicone F109 Universal).



- ◆ Screw motor to motor flange (delivered with the cylinder), (see chapter "Motor and gearbox mounting" (see on page 32)).

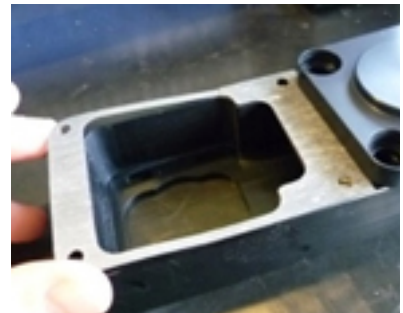
- ◆ Apply silicone sealing compound around bores of the parallel housing



- ◆ Mount motor with motor flange to parallel housing (see chapter "Motor and gearbox mounting" (see on page 32)).

- ◆ Tension toothed belt (see "Exchange or tension toothed belt" (see on page 42, see on page 52)).

- ◆ Place seal (furnished with the cylinder).



- ◆ Place lid (furnished with the cylinder).



- ◆ Fix lid and seal to parallel housing



- ◆ Note the additional mounting steps (see chapter "Motor and gearbox mounting" (see on page 32)).

3. Maintenance and service

In this chapter you can read about:

Maintenance schedule.....	46
Lubricating intervals and amount of lubricant for ATEX ETH- Electro Cylinder.....	46
Toothed belt	49
Belt / belt tensions	52

NOTICE

Read safety instructions (see on page 14) before taking into operation!

Before performing any maintenance work, turn the power switch to the '0' setting and secure it with a padlock against manipulation. If the unit needs to be operable for specific repair works, you have to be especially cautious. Please make sure that there are no persons in the hazardous area - if needs be, secure this area by additional enclosures or barriers against access.

DANGER

If set-up, repair or maintenance works require that safety installations be dismantled, these must be reinstalled immediately after the respective works have been completed. The unit must be shut down before any of the safety installations are dismantled.

CAUTION

Depending on the operating conditions (rotation speed, load, etc.) increased surface temperature in the area of the drive may occur. When touching it during operation slight injuries from burning may occur. Don't touch the product during operation. At maintenance, service and repair always take care that the product is cooled off before starting work.

Maintenance measures ETH

The ballscrew drive must be relubricated within given intervals.

The lubrication intervals depend on the operating conditions (nominal size, pitch, speed, acceleration, loads, etc.) and the ambient conditions (e.g. temperature). Ambient influences such as high loads, impacts and vibrations shorten the lubrication intervals.

In short-stroke applications, a lubrication run must be performed after max. 10 000 movement cycles.

In the event of small loads and if the application is impact and vibration free, the lubrication intervals can be increased. Under normal operating conditions, the given lubrication intervals apply. If the total travel per year is shorter than the given intervals, **the cylinder must be relubricated at least once per year.**

3.1 Maintenance schedule

WHEN	WHAT	ACTION
After commissioning	Lead screw	The cylinder is furnished completely lubricated. If the cylinder was held on stock at your premises for more than 1 year, it must be relubricated before commissioning. see lubricating intervals and amount of lubricant
Depending on the mileage, see table Lubricating intervals and amount of lubricant	Leas screw	Relubricating the screw. see lubricating intervals and amount of lubricant
Annually	Electro Cylinder	Visual inspection for external damages of the actuator. If externally caused damages are visible on the thrust rod or on the profile, please contact Parker.
Annually	Fixings provided by the customer	Check screw tightening torque. see mounting tightening torques ETH (see on page 25)
Annually, or every 6000 hours of operation	Toothed belt (with parallel configuration)	In general, the high performance toothed belts used in the ETH are maintenance free. Visual inspection of the timing belt is however required. Please check the toothed belt for the following aspects: <ul style="list-style-type: none"> ◆ Wear at the teeth ◆ Cracks in the tooth root surface ◆ Fractures in the belt back If you find signs of wear, the toothed belt must be exchanged (see on page 49).

3.2 Lubricating intervals and amount of lubricant for ATEX ETH- Electro Cylinder

	Lead screw	Interval	Amount of lubricant
ETH032	M05	80 km	1.3 cm ³
	M10	160 km	1.6 cm ³
ETH050	M05	80 km	1.6 cm ³
	M10	160 km	1.9 cm ³
ETH080	M05	80 km	3.1 cm ³
	M10	160 km	4.4 cm ³
ETH100	M10	80 km	14 cm ³
	M20	160 km	17 cm ³
ETH125	M10	60 km	20 cm ³
	M20	120 km	48 cm ³

Lubricant



Do only use "Klüber NBU15" lubricating grease for standard cylinders!

For applications in food related areas, "Klübersynth UH1 64-62" grease is used (customized version).

After relubrication, a lubricating run must be performed to ensure even distribution of the lubricating agent.
Please make sure that the entire length is traveled in both directions at a speed of approx. 20 mm/s.
After this, the cylinder is ready for put back into operation.

3.2.1. Greasing via central lubrication port (standard)

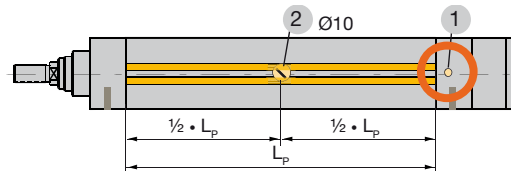


Figure 29: Relubrication via central lubrication port (standard)

- 1: Central lubrication (standard)
- 2: Central lubrication (Option)

Make sure that all external stops are removed.

- ◆ Retreat Electro Cylinder completely so that it touches the rear stop.
- ◆ Pass internal buffer by 0.5 mm.

⚠ CAUTION

Ensure by means of control, that the internal buffer is not passed by more than 0.5 mm!

- ◆ This is the lubricating position.
- ◆ Use a suitable pipe for the funnel type lubricating nipple, Type D1a4 DIN3405: Beaked nozzle.
- ◆ Place the pipe orthogonally onto the lubricating nipple and press.
- ◆ Use the defined amount of lubricant.
- ◆ The amount of lubricant applied can be defined by the number of pump strokes. Pump the stated amount of grease onto a balance, while counting the pump strokes.

3.2.2. Relubrication via central lubrication port (option)

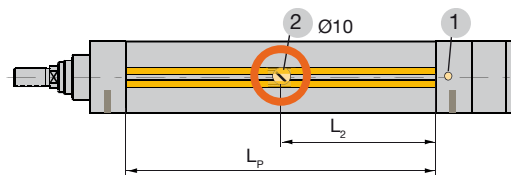


Figure 30: Relubrication via central lubrication port (option)

- 1: Central lubrication (standard)
- 2: Central lubrication (Option)

Location of lubrication port

Depending on the cylinder size and the selected stroke, the relubrication hole is located in the mid of the profile or in the mid of the stroke.

Stroke \geq Stroke limit: $L_2 = L_p/2$

Stroke $<$ Stroke limit: $L_2 = \text{stroke} / 2 + \text{Offset}$

	Pitch	Stroke limit [mm]	Offset [mm]
ETH032	M05	50	15
	M10		
	M16		
ETH050	M05	60	15
	M10		
	M20		
ETH080	M05	100	20
	M10		
	M32		
ETH100	M10	160	22
	M20		
ETH125	M10	240	25
	M20		

The distances of the rear stop (on the motor side), mentioned in the following table, to the central lubrication port in the profile are only approximate values.

Start-up position of relubrication port

Assumption: Position = 0 at the rear buffer (lead screw completely retracted)

	Pitch	Position center lubrication option [mm]	
		Stroke \geq stroke limit [mm]	Stroke $<$ Stroke limit
ETH032	M05	$\frac{1}{2} \times \text{stroke} + 18$	1/2 x stroke
	M10	$\frac{1}{2} \times \text{stroke} + 22.5$	
	M16	$\frac{1}{2} \times \text{stroke} + 24.5$	
ETH050	M05	$\frac{1}{2} \times \text{stroke} + 18.5$	
	M10	$\frac{1}{2} \times \text{stroke} + 21.5$	
	M20	$\frac{1}{2} \times \text{stroke} + 27.5$	
ETH080	M05	$\frac{1}{2} \times \text{stroke} + 24.5$	
	M10	$\frac{1}{2} \times \text{stroke} + 33.5$	
	M32	$\frac{1}{2} \times \text{stroke} + 48.5$	
ETH100	M10	$\frac{1}{2} \times \text{stroke} + 59$	
	M20	$\frac{1}{2} \times \text{stroke} + 78$	
ETH125	M10	$\frac{1}{2} \times \text{stroke} + 71$	
	M20	$\frac{1}{2} \times \text{stroke} + 115$	

- ◆ Loosen lubrication port screw.
- ◆ Move the cylinder slowly to the lubricating position until the lubricating port becomes visible.
- ◆ With frame sizes ETH032, ETH050 and ETH080 the lubrication ports have a diameter of 2.5 mm.
With frame sizes ETH100 and ETH125 the lubrication nipple is integrated.
For all sizes you need a beaked nozzle for your grease gun.
- ◆ Use a stable pipe (no hose).
- ◆ Insert the nozzle into the hole in the cylinder profile and place it orthogonally onto the lubricating port.
- ◆ Use the defined amount of lubricant.
- ◆ The amount of lubricant applied can be defined by the number of pump strokes.
Pump the stated amount of grease onto a balance, while counting the pump strokes.

3.3 Toothed belt

3.3.1. Checking the toothed belt

In general, the high performance toothed belts used in the ETH are maintenance free.

Visual inspection of the timing belt is however required. Please check the toothed belt for the following aspects:

- ◆ Wear at the teeth
- ◆ Cracks in the tooth root surface
- ◆ Fractures in the belt back

If you find signs of wear, the toothed belt must be exchanged (see on page 49).

For visual inspection, you must only remove the (upper) lid with the four screws (Figure 1, Pos.4+11).

ATTENTION! Do not remove the screws of Pos.11 entirely.



WARNING

Do not forget to refix the lid after the inspection!

3.3.2. Toothed belt exchange

Under good operating conditions, the toothed belt may run for 6000 hours of operation. After this time, the belt must be exchanged.

Good operating conditions are:

- ◆ no negative environmental influences
- ◆ perfect alignment of the shafts
- ◆ approved and correct geometry of the pulleys
- ◆ correct mounting
- ◆ permitted transmissible drive torques are respected.

3.3.3. Exchanging the toothed belt (ETH032 ... 080)

ETH032 ... ETH080

(valid for all mounting options)

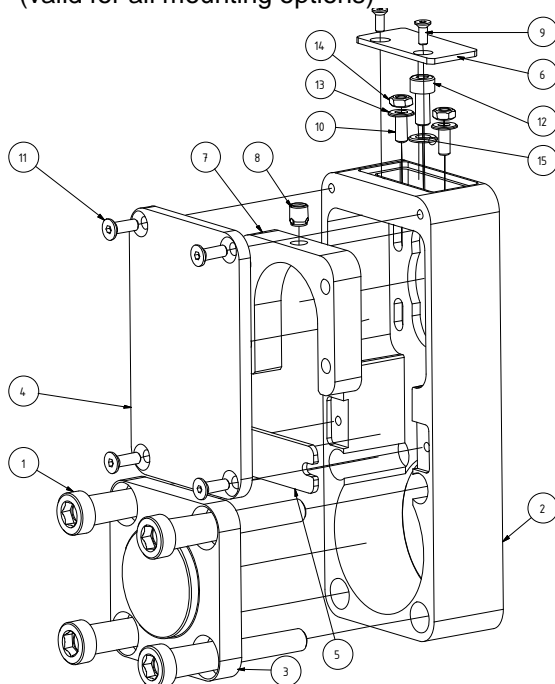


Figure 31: Parallel housing

ETH032 ... ETH080

(not valid for mounting Parker EX motors)

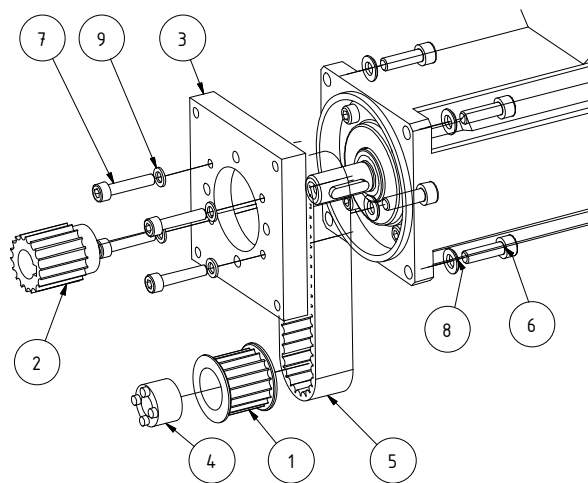


Figure 32: Parallel drive

- ◆ Dismantle the motor (see on page 32)
- ◆ Loosen and remove 4 screws (please refer to Figure 31: Parallel housing Pos.1).
- ◆ Remove lid (please refer to Figure 31: Parallel housing Pos.3).
- ◆ Remove bar (please refer to Figure 31: Parallel housing1 Pos.5).
- ◆ Remove old toothed belt and insert new belt.
ATTENTION! Please make sure that the toothed belt is correctly geared in the pulley tothing.
- ◆ Insert bar (please refer to Figure 31: Parallel housing Pos.5).
- ◆ Position lid (please refer to Figure 31: Parallel housing Pos.3).
- ◆ Apply screw adhesive "Wiko 02K43 medium" to 4 screws (please refer to Figure 31: Parallel housingPos.1) and tighten slightly.
- ◆ Align housing (please refer to Figure 31: Parallel housing Pos.2) with the electro cylinder.
- ◆ Tighten 4 screws (please refer to Figure 31: Parallel housing Pos.1) with the given tightening torque.

ETH032	ETH050	ETH080
9 Nm	20 Nm	40 Nm

- ◆ Mounting the motor (see on page 32)
- ◆ Setting the toothed belt pretension:
 - ◆ For the same toothed belt (see on page 41).
 - ◆ For a new toothed belt (see on page 42)
- ◆ Mount lid (please refer to Figure 31: Parallel housing Pos.6) with screws (please refer to Figure 31: Parallel housing Pos.9).
- ◆ Mount lid (please refer to Figure 31: Parallel housing Pos.4) with screws (please refer to Figure 31: Parallel housing Pos.11).

3.3.4. Exchanging the toothed belt (ETH100&125)

ETH100&125

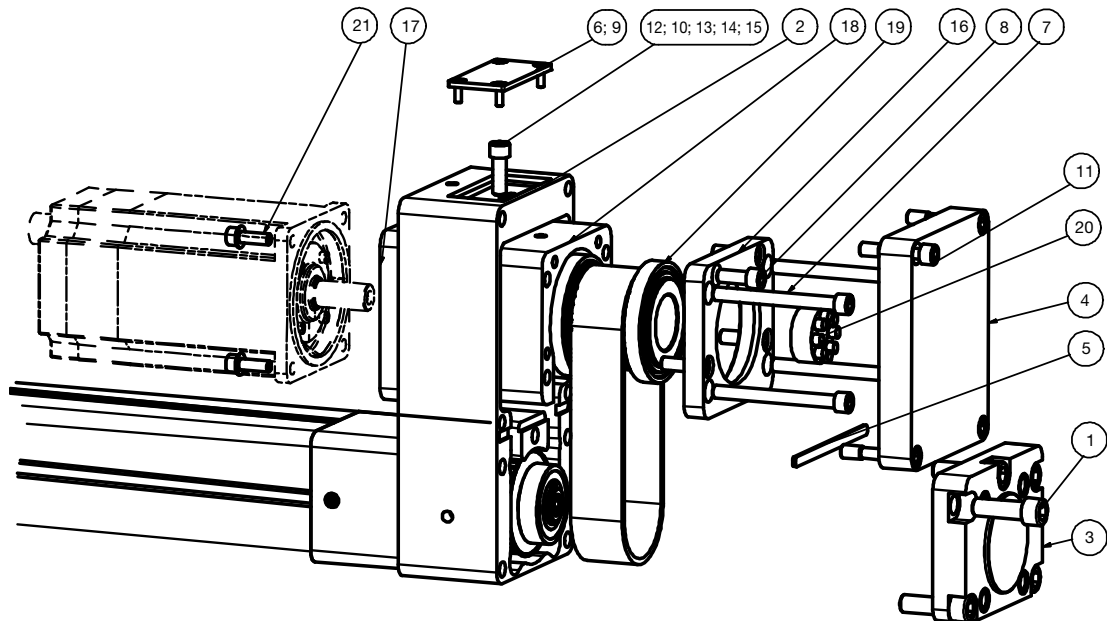


Figure 33: Exchanging the toothed belt ETH1xx

- ◆ Dismantle the motor (see on page 32)



DANGER

The internal ballscrew is not self-locking!
Always take care, especially in vertical position of the ETH cylinder that the piston rod must be safeguarded!

- ◆ Toothed belt detensioning
 - ◆ Slightly loosen 4 screws (please refer to Figure 33: Exchanging the toothed belt ETH1xx Pos.7) by 1 or 2 turns.
ATTENTION! Do not remove the screws entirely!
 - ◆ Loosen central toothed belt tensioning screw (please refer to Figure 33: Exchanging the toothed belt ETH1xx Pos.12) . The drive unit must lower slightly when the tensioning screw is loosened.
 - ◆ Loosen tightening screw (please refer to Figure 33: Exchanging the toothed belt ETH1xx Pos.12) until the drive unit is not lowered any further.
- ◆ Loosen 5 screws (please refer to Figure 33: Exchanging the toothed belt ETH1xx Pos.1) and remove lid (please refer to Figure 33: Exchanging the toothed belt ETH1xx Pos.3). If the lid can not be removed easily (please refer to Figure 33: Exchanging the toothed belt ETH1xx Pos.3), try to remove it with a slightly pivoting movement.
- ◆ Remove middle bar (please refer to Figure 33: Exchanging the toothed belt ETH1xx Pos.5) with seal.
- ◆ Loosen 4 screws (please refer to Figure 33: Exchanging the toothed belt ETH1xx Pos.8) of the upper bearing flange (please refer to Figure 33: Exchanging the toothed belt ETH1xx Pos.16) (do not remove entirely).
- ◆ Unscrew 4 screws (please refer to Figure 33: Exchanging the toothed belt ETH1xx Pos.7) and remove motor flange (please refer to Figure 33: Exchanging the toothed belt ETH1xx Pos.17).



CAUTION

Make sure not to insert your fingers between motor / gearbox and electro cylinder!
We recommend to place a support pad between motor and cylinder profile.

- ◆ Completely unscrew toothed belt tensioning screw (please refer to Figure 33: Exchanging the toothed belt ETH1xx Pos.12).
- ◆ **ATTENTION!** Secure upper bearing unit (please refer to Figure 33: Exchanging the toothed belt ETH1xx Pos.18) against falling.
- ◆ **CAUTION!** Danger of crushing: Do not place your hands or fingers between upper bearing unit and parallel housing.
- ◆ Remove upper bearing unit with toothed belt (please refer to Figure 33: Exchanging the toothed belt ETH1xx Pos.18).
- ◆ Loosen four screws (please refer to Figure 33: Exchanging the toothed belt ETH1xx Pos.8) of the upper bearing flange and remove bearing flange (please refer to Figure 33: Exchanging the toothed belt ETH1xx Pos.16) from the bearing (please refer to Figure 33: Exchanging the toothed belt ETH1xx Pos.19).
- ◆ Remove hollow shaft with the two bearings (please refer to Figure 33: Exchanging the toothed belt ETH1xx Pos.19) from the bearing housing (please refer to Figure 33: Exchanging the toothed belt ETH1xx Pos.18).
- ◆ Now, the toothed belt can be removed and the new belt can be inserted.

⚠ CAUTION

Please make sure that the toothed belt is correctly geared in the pulley toothing.

⚠ CAUTION

Do only use the toothed belt specified by Parker.

Do only use the toothed belts with mentioned part number.

- ◆ Mounting in reverse order.
- ◆ (please refer to Figure 33: Exchanging the toothed belt ETH1xx Pos.2,3 and 4) must be sealed with Atomsit.
- ◆ Seal middle bar (please refer to Figure 33: Exchanging the toothed belt ETH1xx Pos.5) with the seal or with Atmosit.

⚠ WARNING

Please respect the screw tightening torques.

- ◆ Setting the toothed belt pre-tension (see on page 42)

Tightening torques: Toothed belt change ETH100&125

	Position	Screw tightening torques	Screw locking compound
ETH100	Pos.1	110 Nm	Loctite 242 / Wiko02K43
	Pos.7	70 Nm	Loctite 242 / Wiko02K43
	Pos.8	70 Nm	Loctite 242 / Wiko02K43
ETH125	Pos.1	250 Nm	Loctite 242 / Wiko02K43
	Pos.7	115 Nm	Loctite 242 / Wiko02K43
	Pos.8	115 Nm	Loctite 242 / Wiko02K43

3.4 Belt / belt tensions

	ETH032	ETH050	ETH080	ETH100	ETH125
Part No.	0111.913	0121.913	0131.913	0141.913-02	0151.913
Belt pre-tension	210 N ± 7 N	230 N ± 7 N	450 N ± 14 N	3500 N ± 19 N	4900 N ± 36 N
Trum Frequency	438 Hz ± 14 Hz	306 Hz ± 10 Hz	236 Hz ± 8 Hz	370 Hz ± 2 Hz	272 Hz ± 2 Hz
Belt mass	0.060 kg/m	0.080 kg/m	0.120 kg/m	0.2065 kg/m	0.33 kg/m
Belt width	15 mm	20 mm	30 mm	50 mm	62 mm
Center distance	67.5 mm	87.5 mm	130 mm	176 mm	224 mm

4. Repair

In the event of a damage or a mechanical defect, the entire unit must be returned for repair (Parker Hannifin (see on page 2)). The repair must be made by trained Parker personnel.

User Conversions and Changes are Not Permitted

The linear actuator must not be changed in its design or in terms of safety without our approval. Any change as defined here made by the user excludes any liability on our part.

5. Index

A

Accessory mounting - bearing block • 27
Applications not in accordance with the intended use • 13
ATEX and machinery directive • 10
ATEX declaration of conformity • 7
ATEX specific safety instructions • 16

B

Belt / belt tensions • 52

C

Checking the toothed belt • 49
Conditions of utilization • 21
Cylinder mounting with mounting plates or foot mounting bracket • 25

D

Device assignment • 5
Direction of the motor during extension of the cylinder • 29

E

Electric installation • 29
ETH ATEX marking • 11
Exchanging the toothed belt (ETH032 ... 080) • 49
Exchanging the toothed belt (ETH100&125) • 51
Explosion subgroup • 10
Explosive atmospheres • 8

G

General hazards • 14
General safety instructions - ATEX • 16
Greasing via central lubrication port (standard) • 47

H

Harmonized European ATEX Standard • 8

I

Identifying Residual Dangers and Hazardous Areas • 14
Intended use • 12
Introduction • 5
Introduction to ATEX • 8
IP65 motor mount • 43
IP65 motor mount parallel • 44

L

Lubricating intervals and amount of lubricant for ATEX ETH- Electro Cylinder • 46

M

Maintenance and service • 45
Maintenance schedule • 46
Montage • 24
Motor / gear assembly with inline motor configuration • 33
Motor / gearbox mounting with parallel motor configuration • 35
Motor mounting for IP65 inline • 43
Motor/ gear assembly • 32
Mounting - Fixing of accessories - Rear clevis with force sensor • 28
Mounting explanation • 6
Mounting notes • 28
Mounting of force sensors • 27
Mounting of the payload • 28
Mounting with mounting accessories • 24
Mounting with mounting threads on the cylinder • 24

O

Operator's obligations • 13

P

Packaging, storage, transport • 17
Parallel mounting ETH032 ... ETH080 Standard • 35
Parallel mounting ETH032 ... ETH080 with Ex - Motor • 37
Parallel mounting ETH100 & ETH125 • 39
Planning of the ETH - Electro Cylinder for EX-Environment • 23
Product specific safety instructions • 16

R

Re-apply toothed belt pre-tension (reinsert the same toothed belt) • 41
Relubrication via central lubrication port (option) • 47
Repair • 53
Resetting the toothed belt pre-tension (new toothed belt) • 42

S

Safety instructions • 14
Safety Instructions for Operating Personnel • 15
Safety Instructions for the Company Using the System • 15
Screw tightening torques for the mounting of the ETH cylinder by the customer • 25
Sensor mounting • 30
Sensors • 29
Setting the end limits • 30
Set-up • 24

Side Load • 28

Special notes on transport • 18

T

Temperature classes • 10

Terms of guarantee / warranty • 21

Toothed belt • 49

Toothed belt exchange • 49

Type of explosion protection • 9

Type specification plate • 5

W

Working safely • 14

Z

Zone classification / device categories • 9

Parker Worldwide

Europe, Middle East, Africa

AE – United Arab Emirates, Dubai
Tel: +971 4 8127100
parker.me@parker.com

AT – Austria, Wiener Neustadt
Tel: +43 (0)2622 23501-0
parker.austria@parker.com

AT – Eastern Europe, Wiener Neustadt
Tel: +43 (0)2622 23501 900
parker.easteurope@parker.com

AZ – Azerbaijan, Baku
Tel: +994 50 2233 458
parker.azerbaijan@parker.com

BE/LU – Belgium, Nivelles
Tel: +32 (0)67 280 900
parker.belgium@parker.com

BG – Bulgaria, Sofia
Tel: +359 2 980 1344
parker.bulgaria@parker.com

BY – Belarus, Minsk
Tel: +48 (0)22 573 24 00
parker.poland@parker.com

CH – Switzerland, Etoy
Tel: +41 (0)21 821 87 00
parker.switzerland@parker.com

CZ – Czech Republic, Klecany
Tel: +420 284 083 111
parker.czechrepublic@parker.com

DE – Germany, Kaarst
Tel: +49 (0)2131 4016 0
parker.germany@parker.com

DK – Denmark, Ballerup
Tel: +45 43 56 04 00
parker.denmark@parker.com

ES – Spain, Madrid
Tel: +34 902 330 001
parker.spain@parker.com

FI – Finland, Vantaa
Tel: +358 (0)20 753 2500
parker.finland@parker.com

FR – France, Contamine s/Arve
Tel: +33 (0)4 50 25 80 25
parker.france@parker.com

GR – Greece, Athens
Tel: +30 210 933 6450
parker.greece@parker.com

HU – Hungary, Budaörs
Tel: +36 23 885 470
parker.hungary@parker.com

IE – Ireland, Dublin
Tel: +353 (0)1 466 6370
parker.ireland@parker.com

IT – Italy, Corsico (MI)
Tel: +39 02 45 19 21
parker.italy@parker.com

KZ – Kazakhstan, Almaty
Tel: +7 7273 561 000
parker.easteurope@parker.com

NL – The Netherlands, Oldenzaal
Tel: +31 (0)541 585 000
parker.nl@parker.com

NO – Norway, Asker
Tel: +47 66 75 34 00
parker.norway@parker.com

PL – Poland, Warsaw
Tel: +48 (0)22 573 24 00
parker.poland@parker.com

PT – Portugal, Leca da Palmeira
Tel: +351 22 999 7360
parker.portugal@parker.com

RO – Romania, Bucharest
Tel: +40 21 252 1382
parker.romania@parker.com

RU – Russia, Moscow
Tel: +7 495 645-2156
parker.russia@parker.com

SE – Sweden, Spånga
Tel: +46 (0)8 59 79 50 00
parker.sweden@parker.com

SK – Slovakia, Banská Bystrica
Tel: +421 484 162 252
parker.slovakia@parker.com

SL – Slovenia, Novo Mesto
Tel: +386 7 337 6650
parker.slovenia@parker.com

TR – Turkey, Istanbul
Tel: +90 216 4997081
parker.turkey@parker.com

UA – Ukraine, Kiev
Tel: +48 (0)22 573 24 00
parker.poland@parker.com

UK – United Kingdom, Warwick
Tel: +44 (0)1926 317 878
parker.uk@parker.com

ZA – South Africa, Kempton Park
Tel: +27 (0)11 961 0700
parker.southafrica@parker.com

North America

CA – Canada, Milton, Ontario
Tel: +1 905 693 3000

US – USA, Cleveland
Tel: +1 216 896 3000

Asia Pacific

AU – Australia, Castle Hill
Tel: +61 (0)2-9634 7777

CN – China, Shanghai
Tel: +86 21 2899 5000

HK – Hong Kong
Tel: +852 2428 8008

IN – India, Mumbai
Tel: +91 22 6513 7081-85

JP – Japan, Tokyo
Tel: +81 (0)3 6408 3901

KR – South Korea, Seoul
Tel: +82 2 559 0400

MY – Malaysia, Shah Alam
Tel: +60 3 7849 0800

NZ – New Zealand, Mt Wellington
Tel: +64 9 574 1744

SG – Singapore
Tel: +65 6887 6300

TH – Thailand, Bangkok
Tel: +662 186 7000

TW – Taiwan, Taipei
Tel: +886 2 2298 8987

South America

AR – Argentina, Buenos Aires
Tel: +54 3327 44 4129

BR – Brazil, Sao Jose dos Campos
Tel: +55 800 727 5374

CL – Chile, Santiago
Tel: +56 2 623 1216

MX – Mexico, Toluca
Tel: +52 72 2275 4200

We reserve the right to make technical changes. The data correspond to the technical state at the time of printing.
© 2015 Parker Hannifin Corporation.
All rights reserved.



EMEA Product Information Centre

Free phone: 00 800 27 27 5374

(from AT, BE, CH, CZ, DE, DK, EE, ES, FI, FR, IE, IL, IS, IT, LU, MT, NL, NO, PL, PT, RU, SE, SK, UK, ZA)

US Product Information Centre

Toll-free number: 1-800-27 27 537

www.parker.com

Your local authorized Parker distributor

